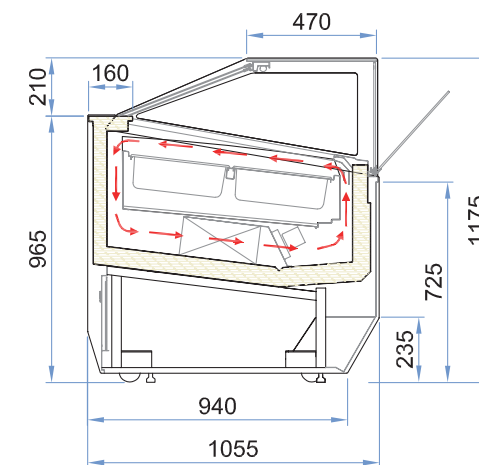


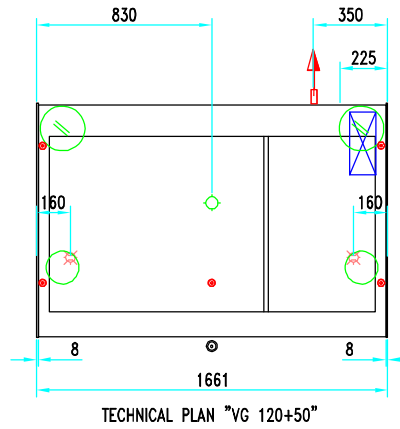
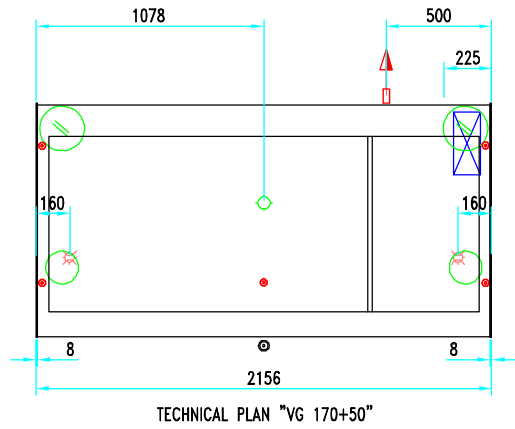
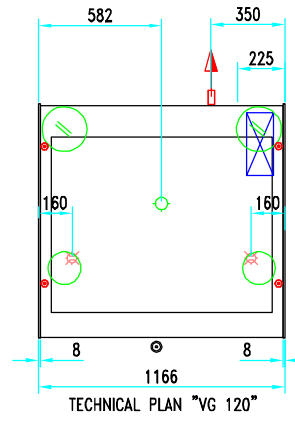
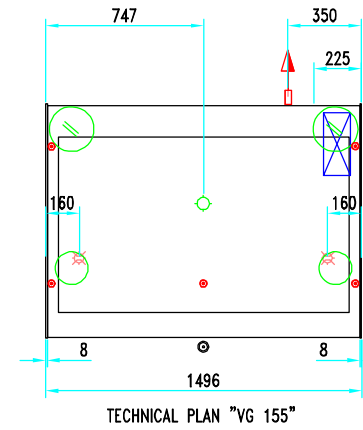
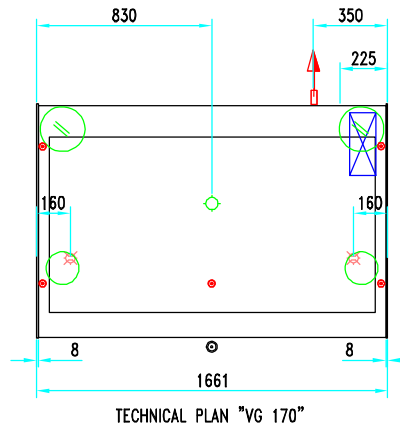
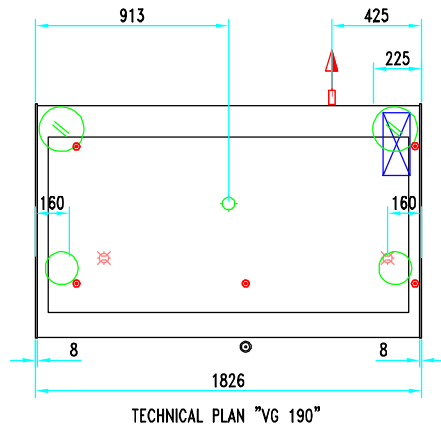
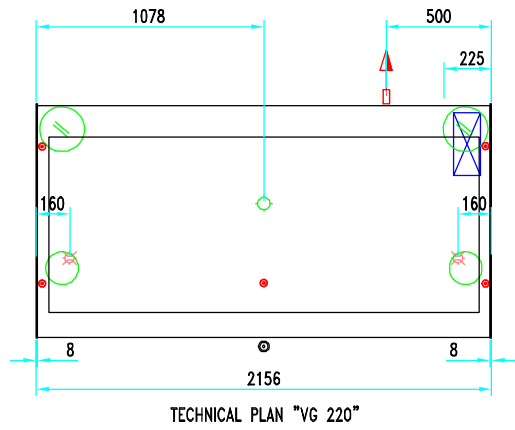
# Masszeichnung

## Kuchenvitrine Serie MILLENNIUM PASTRY H117

<b>Millennium</b>		<b>120</b>	<b>155</b>	<b>170</b>	<b>190</b>	<b>220</b>	
Gelato - Pastry							
<b>Dimensioni esterne (LxPxH)</b> External dimensions (LxDxH)	H117	ST	1165x1055x1175 mm	1495x1055x1175 mm	1660x1055x1175 mm	1825x1055x1175 mm	2155x1055x1175 mm
	H135	ST	1165x1055x1360 mm	1495x1055x1360 mm	1660x1055x1360 mm	1825x1055x1360 mm	2155x1055x1360 mm
		LX	1165x1080x1360 mm	1495x1080x1360 mm	1660x1080x1360 mm	1825x1080x1360 mm	2155x1080x1360 mm
<b>Peso (netto)</b> Weight (net)	H117	ST	195 kg	224 kg	252 kg	300 kg	348 kg
	H135	ST	200 kg	230 kg	260 kg	310 kg	360 kg
		LX	200 kg	230 kg	260 kg	310 kg	360 kg
<b>Refrigerazione</b> Refrigeration			<b>Ventilata</b> Ventilated		<b>Ventilata</b> Ventilated		



ST - H117



- LEGENDA -

●	PIEDI APPOGGIO	CABINET FEET	○ 32
⊗	SCARICO	DRAIN PIPE	○ 25
○	ALLACCIAMENTO GAS	REFRIGERANT PIPING	
○	USCITA CAVI	CABLE OUTLET	
⊠	QUADRO COMANDO	CONTROL BOARD	
○	RUOTA	WHEEL	
○	RUOTA+FRENO	WHEEL+BRAKE	
⊙	LATO CLIENTE	CUSTOMER SIDE	
⊠	PASSAGGIO TUBI IN PEDANA	CROSSING PIPES	

