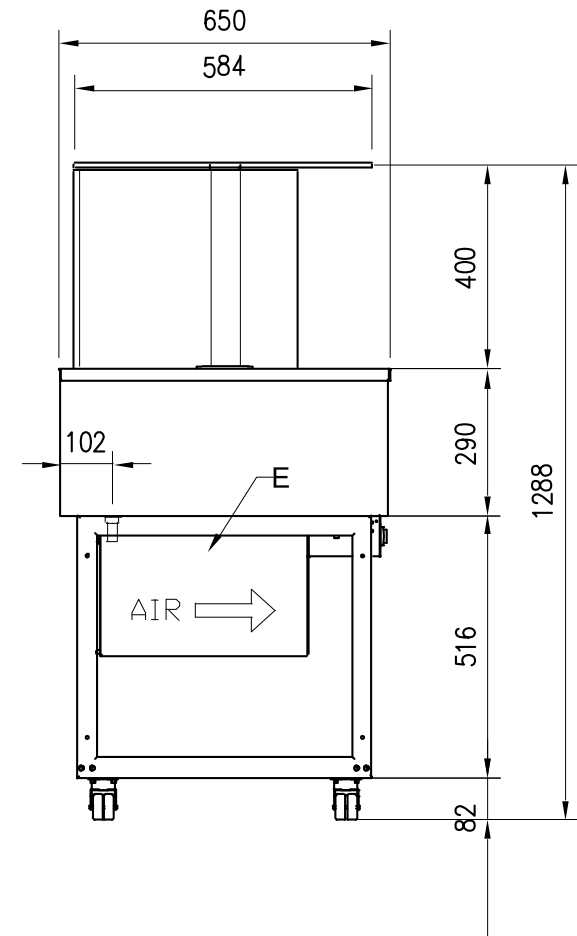
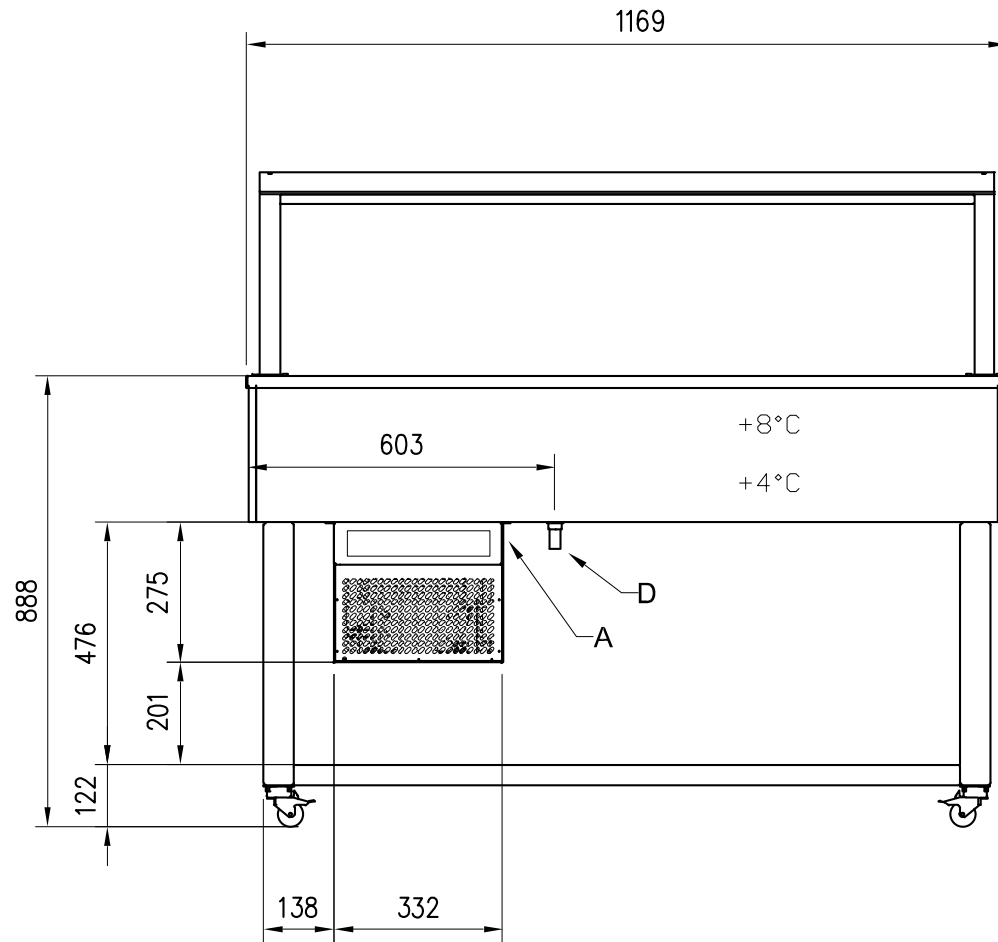


Masszeichnung Salatbar TR-GREEN 3/1 SERVICE

[Art. 434700801]



- A= ELECTRICAL CONNECTION
- D= WATER DISCHARGE $\varnothing 16$
- E= GAS CONNECTION $\varnothing 6 \varnothing 8$
- F= WATER BOX

