

Ersatzteilliste-Explosionszeichnung

Gas-Bratplatte **GBP9 / 2H-GL-GE-GE-V-T**

[Art. 406392055]



FRYTOP GAS E900XP GAS FRYTOP E900XP

| PNC | Model | Ref | Brand | Version | Notes |
|--------|------------|-----|-------|---------|-------------------------------|
| 391048 | E9FTGDHS00 | A | ELX | GAS | SMOOTH HORIZONTAL PLATE 400MM |
| 391049 | E9FTGDSR00 | c | ELX | GAS | RIBBED SLOPED PLATE 400 MM |
| 391050 | E9FTGHHS00 | b | ELX | GAS | SMOOTH HORIZONTAL PLATE 800MM |
| 391051 | E9FTGHSP00 | d | ELX | GAS | SMOOTH+RIBB.SLOPED PL.800 MM |
| 391052 | E9FTGHSPG0 | h | ELX | GAS | SMOOTH+RIBB.SLOPED+OVEN 800MM |
| 391053 | E9FTGDCS00 | e | ELX | GAS | CHR.SMOOTH SLOPED PLATE 400MM |
| 391054 | E9FTGHCS00 | f | ELX | GAS | CHR.SMOOTH SLOPED PLATE 800MM |
| 391055 | E9FTGHCP00 | g | ELX | GAS | CHR.SMOOTH+RIBB.SLOPED 800 MM |
| 391303 | E9FTGHSP0W | z | ELX | GAS | SMOOTH+RIBB.SLOPED PL.800 MM |
| 392048 | Z9FTGDHS00 | i | ZAN | GAS | SMOOTH HORIZONTAL PLATE 400MM |
| 392049 | Z9FTGDSR00 | j | ZAN | GAS | RIBBED SLOPED PLATE 400 MM |
| 392050 | Z9FTGHHS00 | k | ZAN | GAS | SMOOTH HORIZONTAL PLATE 800MM |
| 392051 | Z9FTGHSP00 | l | ZAN | GAS | SMOOTH+RIBB.SLOPED PL.800 MM |
| 392052 | Z9FTGHSPG0 | p | ZAN | GAS | SMOOTH+RIBB.SLOPED+OVEN 800MM |
| 392053 | Z9FTGDCS00 | m | ZAN | GAS | CHR.SMOOTH SLOPED PLATE 400MM |
| 392054 | Z9FTGHCS00 | n | ZAN | GAS | CHR.SMOOTH SLOPED PLATE 800MM |
| 392055 | Z9FTGHCP00 | o | ZAN | GAS | CHR.SMOOTH+RIBB.SLOPED 800 MM |
| 393048 | A9FTGDHS00 | q | OEM | GAS | SMOOTH HORIZONTAL PLATE 400MM |
| 393049 | A9FTGDSR00 | r | OEM | GAS | RIBBED SLOPED PLATE 400 MM |
| 393050 | A9FTGHHS00 | s | OEM | GAS | SMOOTH HORIZONTAL PLATE 800MM |
| 393051 | A9FTGHSP00 | t | OEM | GAS | SMOOTH+RIBB.SLOPED PL.800 MM |
| 393052 | A9FTGHSPG0 | y | OEM | GAS | SMOOTH+RIBB.SLOPED+OVEN 800MM |
| 393053 | A9FTGDCS00 | u | OEM | GAS | CHR.SMOOTH SLOPED PLATE 400MM |
| 393054 | A9FTGHCS00 | v | OEM | GAS | CHR.SMOOTH SLOPED PLATE 800MM |
| 393055 | A9FTGHCP00 | x | OEM | GAS | CHR.SMOOTH+RIBB.SLOPED 800 MM |

Index

General components / Componenti struttura
Gas components / Componenti gas
Nozzles / Ugelli
Spare parts list / Lista ricambi

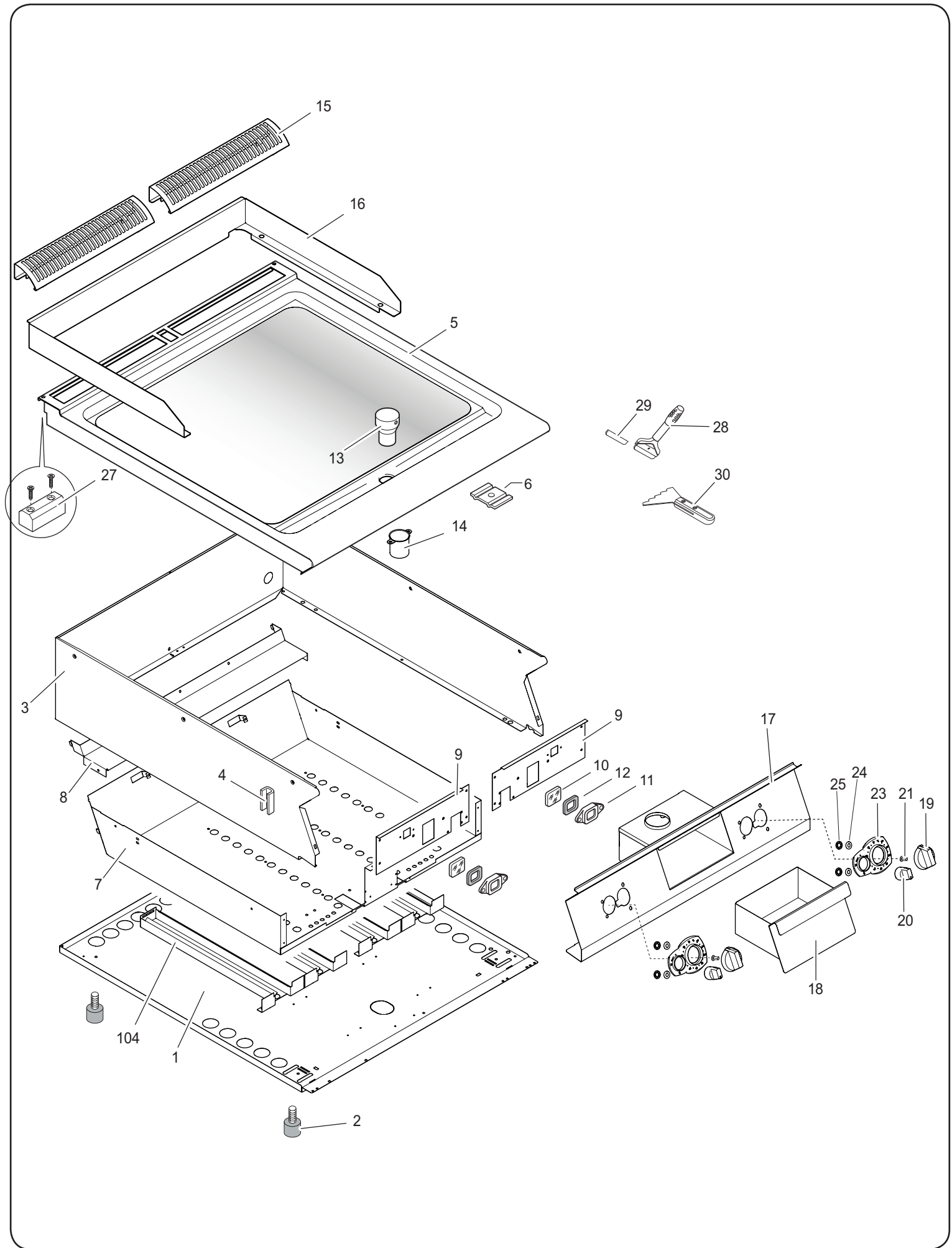
Page

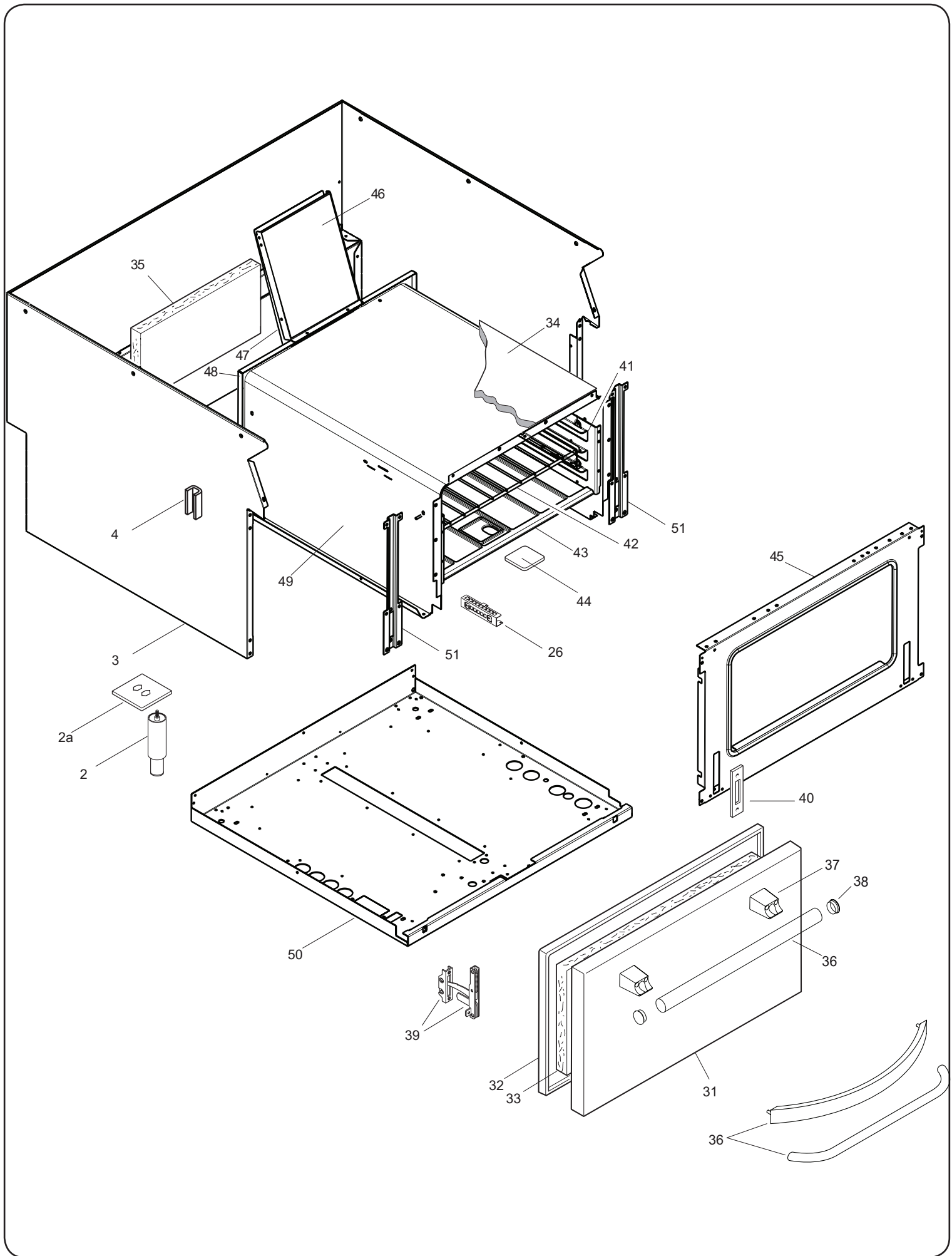
2-3
4
5
6-9

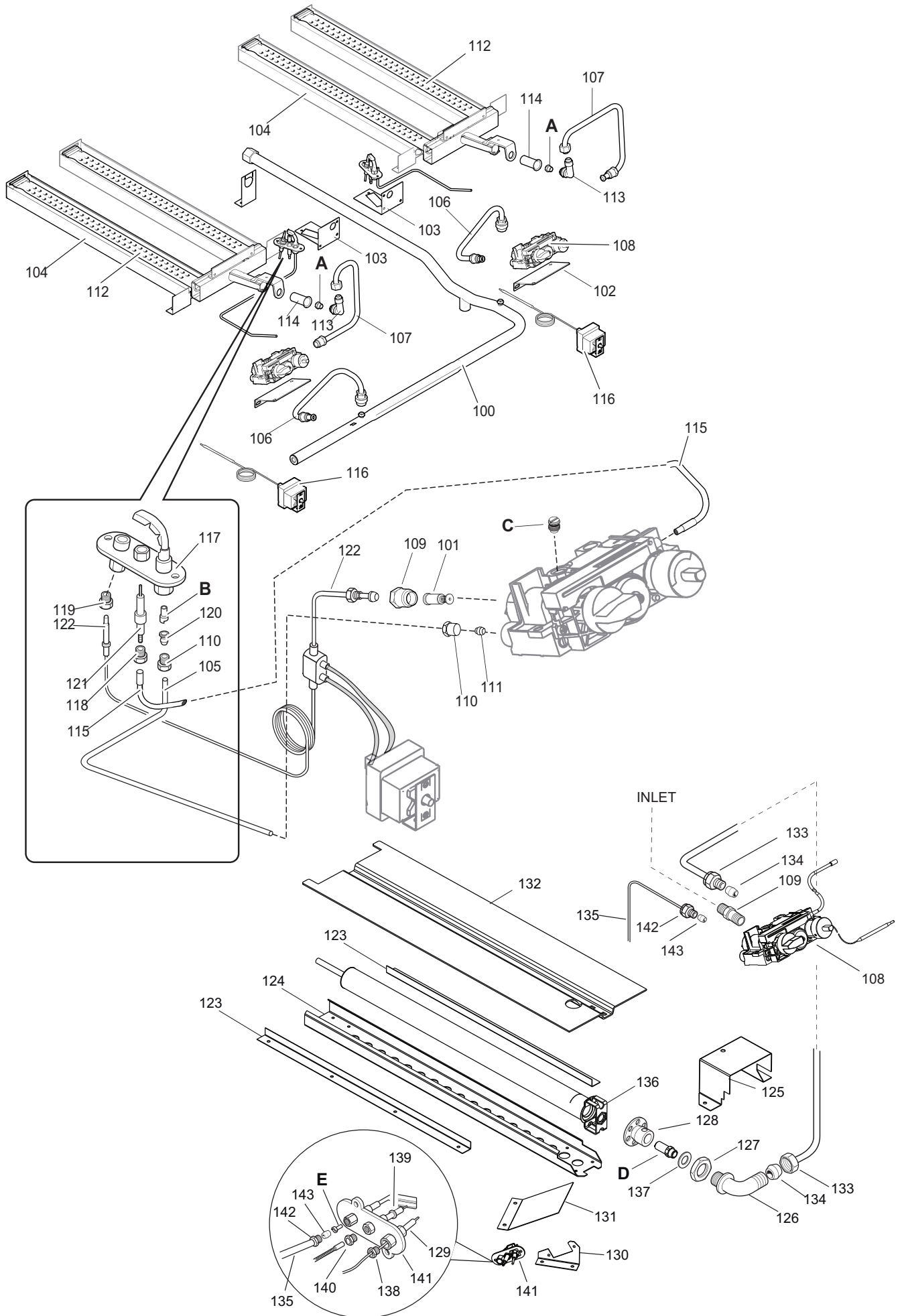
Bold=last change / Grassetto =ultima modifica

Rev. 9

| | | | |
|------------------------------------|--------------------------------|---------|-------------------------|
| From Ser. Nr.016 Up to Ser. Nr. | Ed. 2011-04 Updated 2019-10 | Page: 1 | Doc No:59785FV00 |
|------------------------------------|--------------------------------|---------|-------------------------|







| A - Ugello bruciatore / Burner nozzle | | | |
|--|-------------|--------------|--------------|
| Spare Part Code | Ref. | Notes | |
| 0A2089 | ø1.60 | 3+3B/P | G30 30mbar |
| 059384 | ø1.50 | 3B/P | G30 37mbar |
| 0A2082 | ø1.40 | 3B/P | G30 50mbar |
| 0A2104 | ø2.40 | 2H/2E+ | G20 20mbar |
| 0A2475 | ø2.25 | 2H | G20 25mbar |
| 059382 | ø2.50 | 2L | G25 25mbar |
| 0A2104 | ø2.40 | 2K | G25.3 25mbar |
| 0A2174 | ø2.65 | 2ELL | G25 20mbar |
| 059382 | ø2.50 | 2S | G25,1 25mbar |
| 0A2106 | ø5.00 | No CE | G110 8mbar |

| B - Ugello pilota / Pilot nozzle | | | |
|---|-------------|--------------|--------------|
| Spare Part Code | Ref. | Notes | |
| 059216 | n°14 | 3+3B/P | G30 30mbar |
| 059216 | n°14 | 3B/P | G30 37mbar |
| 059216 | n°14 | 3B/P | G30 50mbar |
| 059215 | n°27 | 2H/2E+ | G20 20mbar |
| 059215 | n°27 | 2H | G20 25mbar |
| 059215 | n°27 | 2L | G25 25mbar |
| 059215 | n°27 | 2K | G25.3 25mbar |
| 059215 | n°27 | 2ELL | G25 20mbar |
| 059215 | n°27 | 2S | G25,1 25mbar |
| 059356 | n°50 | No CE | G110 8mbar |

| C - Vite di minimo / Min screw | | | |
|---------------------------------------|-------------|--------------|--------------|
| Spare Part Code | Ref. | Notes | |
| 006652 | ø1.25 | 3+3B/P | G30 30mbar |
| 006651 | ø1.10 | 3B/P | G30 37mbar |
| 006651 | ø1.10 | 3B/P | G30 50mbar |
| 006653 | ø1.90 | 2H/2E+ | G20 20mbar |
| 0C4156 | ø1.75 | 2H | G20 25mbar |
| 006653 | ø1.90 | 2L | G25 25mbar |
| 006653 | ø1.90 | 2K | G25.3 25mbar |
| 006654 | ø2.00 | 2ELL | G25 20mbar |
| 0C4156 | ø1.75 | 2S | G25,1 25mbar |
| - | ADJ | No CE | G110 8mbar |

| D - Ugello bruciatore FORNO / Burner nozzle OVEN | | | |
|---|-------------|--------------|--------------|
| Spare Part Code | Ref. | Notes | |
| 002862 | ø1.50 | 3+3B/P | G30 30mbar |
| 004488 | ø1.40 | 3B/P | G30 37mbar |
| 059364 | ø1.30 | 3B/P | G30 50mbar |
| 056471 | ø2.25 | 2H/2E+ | G20 20mbar |
| 056147 | ø2.10 | 2H/2E+ | G20 25mbar |
| 004727 | ø2.35 | 2L | G25 25mbar |
| 056471 | ø2.25 | 2K | G25.3 25mbar |
| 002267 | ø2.45 | 2ELL | G25 20mbar |
| 004727 | ø2.35 | 2S | G25.1 25mbar |
| 059365 | ø5.50 | 1a | G110 8mbar |
| 0C0136 | ø4.90 | 1b | G120 8mbar |

| E - Ugello pilota FORNO / Pilot nozzle OVEN | | | |
|--|-------------|--------------|--------------|
| Spare Part Code | Ref. | Notes | |
| 059216 | n°14 | 3+3B/P | G30 30mbar |
| 059216 | n°14 | 3B/P | G30 37mbar |
| 059216 | n°14 | 3B/P | G30 50mbar |
| 059215 | n°27 | 2H/2E+ | G20 20mbar |
| 059215 | n°27 | 2H/2E+ | G20 25mbar |
| 059215 | n°27 | 2L | G25 25mbar |
| 059215 | n°27 | 2K | G25.3 25mbar |
| 059215 | n°27 | 2ELL | G25 20mbar |
| 059215 | n°27 | 2S | G25.1 25mbar |
| 059356 | n°50 | 1a | G110 8mbar |
| 059356 | n°50 | 1b | G120 8mbar |

FRYTOP GAS E900XP
GAS FRYTOP E900XP

| Pos | Factory Code | Spare Code | Descrizione | Description | Ref./Notes |
|-----|--------------|------------|-------------------------------|-------------------------------------|--------------------------------|
| | | | PAGINE 2-3 | PAGES 2-3 | |
| 1 | 530800006 | 0C1286 | FONDO 1/2 M TOP | BOTTOM PANEL | 400 mm |
| 1 | 530800106 | 0C1287 | FONDO 1 M TOP | BOTTOM PANEL | 800 mm |
| 2 | 315252601 | 026806 | PIEDINO | FOOT | |
| 2 | 835856901 | 0C0204 | PIEDINO | FOOT | WITH OVEN |
| 2a | 50589CD00 | * | PIASTRA DI RINFORZO PER PIEDE | PLATE FOR FOOT | WITH OVEN |
| 3 | 85089DR02 | 0CA013 | RIVESTIMENTO TOP | EXTERNAL PANEL | ELX - 400 mm |
| 3 | 85089DU02 | * | RIVESTIMENTO TOP | EXTERNAL PANEL | ZAN, OEM - 400 mm |
| 3 | 85089DS02 | 0C9625 | RIVESTIMENTO TOP | EXTERNAL PANEL | ELX - 800 mm |
| 3 | 85089DV02 | 0C9937 | RIVESTIMENTO TOP | EXTERNAL PANEL | ZAN, OEM - 800 mm |
| 3 | 85089DZ02 | 0C9010 | RIVESTIMENTO MONOBLOCCO | EXTERNAL PANEL | WITH OVEN ELX - 800 mm |
| 3 | 85089F402 | 0C8984 | RIVESTIMENTO MONOBLOCCO | EXTERNAL PANEL | WITH OVEN ZAN, OEM - 800 mm |
| 4 | 527850500 | 0C0156 | SQUADRA FISS.FIANCHI | SIDE PANEL JOINTING PLATE | |
| 5 | 875899F00 | 0C7468 | PIASTRA-RIP. ORIZZ.FE LISC. | HORIZONTAL, SMOOTH FLAT PLATE, IRON | ELX - 400 mm |
| 5 | 875899S00 | 0C7475 | PIASTRA-RIP. ORIZZ.FE LISC. | HORIZONTAL, SMOOTH FLAT PLATE, IRON | ELX - 800 mm |
| 5 | 875899N00 | 0C7472 | PIASTRA-RIP. INCL. FE RIG. | INCLINED, RIBBED PLATE, IRON | ELX - 400 mm |
| 5 | 875899L00 | 0C7470 | PIASTRA-RIP.INCL.FE1/3RIG. | INCLINED, 1/3 RIBBED PLATE, IRON | ELX - 800 mm |
| 5 | 875899Q01 | 0C7223 | PIASTRA-RIP.INCL.CR LISCIA | INCLINED, CHROME SM. PLATE | ELX - 400 mm |
| 5 | 875899U02 | 0C7477 | PIASTRA-RIP.INCL.CR LISC. | INCLINED, CHROME SM. PLATE | ELX - 800 mm |
| 5 | 875899W01 | 0C7479 | PIASTRA-RIP.INCL.CR1/3RIG | INCLINED, CHROME 1/3 RIB. PLATE | ELX - 800 mm |
| 5 | 87089DX01 | 0C7437 | PIASTRA-RIP. ORIZZ.FE LISC. | HORIZONTAL, SMOOTH FLAT PLATE, IRON | ZAN, OEM - 400 mm |
| 5 | 87089F001 | 0C7440 | PIASTRA-RIP. ORIZZ.FE LISC. | HORIZONTAL, SMOOTH FLAT PLATE, IRON | ZAN, OEM - 800 mm |
| 5 | 87089DY01 | 0C7438 | PIASTRA-RIP. INCL. FE RIG. | INCLINED, RIBBED PLATE, IRON | ZAN, OEM - 400 mm |
| 5 | 87089F101 | 0C7441 | PIASTRA-RIP.INCL.FE1/3RIG. | INCLINED, 1/3 RIBBED PLATE, IRON | ZAN, OEM - 800 mm |
| 5 | 87089F202 | 0C7442 | PIASTRA-RIP.INCL.CR LISCIA | INCLINED, CHROME SM. PLATE | ZAN, OEM - 400 mm |
| 5 | 87089F302 | 0C7443 | PIASTRA-RIP.INCL.CR LISC. | INCLINED, CHROME SM. PLATE | ZAN, OEM - 800 mm |
| 5 | 87089F402 | 0C7444 | PIASTRA-RIP.INCL.CR1/3RIG | INCLINED, CHROME 1/3 RIB. PLATE | ZAN, OEM - 800 mm |
| 6 | 206250401 | 051383 | PIASTRINA FISSAGGIO CAPILLARE | PLATE, CAPILLARY FIXING | |
| 7 | 530887904 | 0C9887 | CAMERA COMBUSTIONE | COMBUSTION CHAMBER | 400 mm |
| 7 | 538860604 | 0CA380 | CAMERA COMBUSTIONE | COMBUSTION CHAMBER | 800 mm |
| 8 | 528885301 | 0CA993 | ANTERIORE CAMINO | FRONT PANEL CHIMNEY | 400 mm |
| 8 | 538860701 | 0CA381 | ANTERIORE CAMINO | FRONT PANEL CHIMNEY | 800 mm |
| 9 | 528885201 | 0CA994 | PARETE FRONTALE CAM.COMB. | FRONT PANEL COMB.CHAMBER | 400 mm |
| 9 | 528884400 | 0CA382 | PARETE FRONTALE SX C.COMB. | LEFT FRONT PANEL COMB.C. | 800 mm |
| 9 | 528885100 | 0CA383 | PARETE FRONTALE DX CAM.COMB. | RIGHT FRONT PANEL COMB.C. | 800 mm |
| 10 | 275290025 | 057400 | VETRINO SPIA | INSPECTION GLASS BURNE | |
| 11 | 206260400 | 057382 | CORNICE PER VETRINO SPIA | FRAME FOR GLASS | |
| 12 | 282217401 | 057402 | GUARNIZIONE PER VETRINO SPIA | GASKET, INSPECTION GLASS | |
| 13 | 511833100 | 0C6384 | TAPPO | STOPPER | |
| 14 | 806875201 | 0C6254 | TUBO SCARICO GRASSI | DRAIN PIPE | |
| 15 | 50389LP00 | 0C7333 | GRIGLIA CAMINO | CHIMNEY GRID | |
| 16 | 530899801 | 0C6385 | PARASPRUZZI | SPLASHBACK | 800 mm |
| 16 | 530899901 | 0C6386 | PARASPRUZZI | SPLASHBACK | 400 mm |
| 17 | 85589A804 | 0C7211 | CRUSCOTTO | CONTROL PANEL | ELX - 400 mm |
| 17 | 87089DW02 | 0C7436 | CRUSCOTTO | CONTROL PANEL | ZAN - 400 mm |
| 17 | 87089HA04 | 0C7460 | CRUSCOTTO | CONTROL PANEL | OEM - 400 mm |
| 17 | 85589A905 | 0C7431 | CRUSCOTTO | CONTROL PANEL | ELX - 800 mm |
| 17 | 87089DZ03 | 0C7439 | CRUSCOTTO | CONTROL PANEL | ZAN - 800 mm |

FRYTOP GAS E900XP
GAS FRYTOP E900XP

| Pos | Factory Code | Spare Code | Descrizione | Description | Ref./Notes |
|-----------|------------------|---------------|--------------------------------|-----------------------------|---------------------|
| 17 | 87089HB04 | 0C7461 | CRUSCOTTO | CONTROL PANEL | OEM - 800 mm |
| 17 | 85589AA03 | 0C7432 | CRUSCOTTO | CONTROL PANEL | ELX - 800 mm + OVEN |
| 17 | 87089F502 | 0C7445 | CRUSCOTTO | CONTROL PANEL | ZAN - 800 mm + OVEN |
| 17 | 87089HG04 | 0C7462 | CRUSCOTTO | CONTROL PANEL | OEM - 800 mm + OVEN |
| 18 | 85089CV01 | 0C7205 | CASSETTO | DRAWER, FRYTOP | 400 mm |
| 18 | 85089CX01 | 0C7303 | CASSETTO | DRAWER, FRYTOP | 800 mm |
| 19 | 511850D02 | 0C7330 | MANOPOLA | KNOB FOR THERMOSTAT | ELX up to 224 |
| 19 | 511851100 | 0C8715 | MANOPOLA | KNOB FOR THERMOSTAT | ELX from 225 |
| 19 | 548877Z02 | 0C7179 | MANOPOLA | KNOB FOR THERMOSTAT | ZAN |
| 19 | 548872700 | 0C5252 | MANOPOLA | KNOB FOR THERMOSTAT | OEM |
| 20 | 548863303 | 0C2021 | MANOPOLA ACCENDITORE | KNOB FOR IGNITER | ELX |
| 20 | 548878303 | 0C7181 | MANOPOLA ACCENDITORE | KNOB FOR IGNITER | ZAN |
| 20 | 548856603 | 0C0190 | MANOPOLA ACCENDITORE | KNOB FOR IGNITER | OEM |
| 21 | 54887AP00 | 0C8714 | ADATTATORE MANOPOLA | KNOB ADAPTER | ELX |
| 23 | 548876Q01 | 0C7329 | GHIERA MERTIK | KNOB RING FOR GAS VALVE | ELX |
| 23 | 548879900 | 0C7429 | GHIERA MERTIK | KNOB RING FOR GAS VALVE | ZAN, OEM |
| 23 | 548877401 | 0C7342 | GHIERA FORNO | KNOB RING FOR OVEN | ELX |
| 23 | 548879700 | 0C7241 | GHIERA FORNO | KNOB RING FOR OVEN | ZAN, OEM |
| 24 | 541813800 | 0C6171 | RONDELLA IN SILICONE | SILICONE GASKET | |
| 25 | 218912211 | 069567 | MOLLETTA PER GHIERA | SPRING FOR KNOB RING | |
| 26 | 538831100 | 0C6445 | GRIGLIA PROTEZIONE BULBO | GRILL, PROTECTION PROBE | |
| 27 | 516860702 | 0C0137 | PIASTRINA POSTERIORE RIPIANO | JOINTING REAR PLATE | |
| 28 | 805848202 | 055995 | RASCHIETTO PER PIASTRA LISCIA | SCRAPER FOR SMOOTH PLATE | |
| 29 | 506887401 | 056347 | LAMA PER RASCHIETTO | BLADE FOR SCRAPER | |
| 30 | 830851300 | 056940 | RASCHIETTO PER PIASTRA RIGATA | SCRAPER FOR RIBBED PLATE | |
| 31 | 50389G502 | 0C8541 | PORTA FORNO | DOOR, OVEN | |
| 32 | 50389G602 | 0C7273 | CONTROPORTA | INNER DOOR OVEN | |
| 33 | 560839601 | 0C0197 | ISOLAMENTO PORTA FORNO | INSULATION, OVEN DOOR | |
| 34 | 560839400 | 0C0195 | ISOLAMENTO FORNO | INSULATION, OVEN | |
| 35 | 560839502 | 0C0196 | ISOLAMENTO SCHIENA FORNO | INSULATION, BACK OVEN | |
| 36 | 51589A500 | 0C7274 | MANIGLIA FORNO | HANDLE, OVEN DOOR | ELX |
| 36 | 51589A602 | 0C7226 | MANIGLIA FORNO | HANDLE, OVEN DOOR | ZAN |
| 36 | 83089FY00 | 0C7946 | MANIGLIA FORNO | HANDLE, OVEN DOOR | OEM |
| 37 | 530R01702 | 0C6891 | BLOCCETTO MANIGLIA | HANDLE SUPPORT | ELX |
| 38 | 530R01802 | 0C6823 | TAPPO CHIUSURA MANIGLIA | STOPPER FOR HANDLE | ELX |
| * | 85589A302 | 0C7271 | ASSIEME PORTA FORNO | COMPLETE DOOR | ELX |
| * | 85589CH04 | 0C7276 | ASSIEME PORTA FORNO | COMPLETE DOOR | ZAN |
| * | 85589CQ02 | 0C7278 | ASSIEME PORTA FORNO | COMPLETE DOOR | OEM |
| 39 | 835848100 | 0C0203 | CERNIERA PORTA FORNO | HINGE, OVEN DOOR | |
| 40 | 205075423 | 052725 | COPRICERNIERA | HINGE COVER | |
| 41 | 51489AH00 | 0C7335 | GUIDA PER GRIGLIA FORNO | GRATE LEADING | |
| 42 | 330260843 | 025020 | GRIGLIA FORNO | GRID; OVEN | |
| 43 | 510818902 | 0C0123 | SUOLA | SOLE | |
| 44 | 800833100 | 0C0198 | COPERTURA FORO PILOTA | COVERING, PILOT | |
| 45 | 870838210 | 0C0218 | FACCIATA FORNO 800mm | FRONT OVEN 800mm | OVEN |
| 46 | 529836403 | * | ANTERIORE CAMINO FORNO | FRONT CHIMNEY OVEN | |
| 47 | 529836503 | * | POSTERIORE CAMINO FORNO | REAR CHIMNEY OVEN | |
| 48 | 529835706 | * | SCHIENALE FORNO GAS | REAR SIDE PANEL OVEN | OVEN |
| 49 | 529835512 | * | INVOLUCRO FORNO | GAS OVEN SHELL | OVEN |
| 50 | 5038A1Z02 | * | FONDO MONOBLOCCO 800mm | BOTTOM PANEL FREEST. 800mm | OVEN |
| 51 | 529835404 | 0C5244 | SUPPORTO CERNIERA FORNO | OVEN HINGE SUPPORT | OVEN |

FRYTOP GAS E900XP
GAS FRYTOP E900XP

| Pos | Factory Code | Spare Code | Descrizione | Description | Ref./Notes |
|-----|--------------|------------|--|--|--|
| | | | PAGINA 4 | PAGE 4 | |
| 100 | 806877803 | 0C9778 | RIBALTA | MANIFOLD | 400 mm |
| 100 | 806877903 | 0C6258 | RIBALTA | MANIFOLD | 800 mm |
| 101 | * | 0G8684 | ELETTRO MAGNETE VALVOLA GAS | ELECT.COIL MAGNETIC / VALVE | |
| 102 | 528830703 | 0C7373 | SUPPORTO VALVOLA | VALVE SUPPORT | |
| 103 | 528815100 | 0C1546 | SUPPORTO SX PILOTA | LEFT SUPPORT FOR PILOT | 800 mm |
| 103 | 528815000 | 0C1545 | SUPPORTO DX PILOTA | RIGHT SUPPORT FOR PILOT | |
| 104 | 528884501 | * | CONVOGLIATORE ARIA | CONVEYOR, BURNER | |
| 105 | 517878801 | 0C0598 | CONDUTTURA PILOTA 400 | PILOT PIPE 400 | 400 mm 800 mm DX 800 mm with oven DX |
| 105 | 513808300 | 0C6252 | CONDUTTURA SX BRUC. PILOTA | LEFT PILOT PIPE | 800 mm SX |
| 105 | 513809500 | 0C6387 | CONDUTTURA SX BRUC.PILOTA | LEFT PILOT PIPE | 800 mm with oven SX |
| 106 | 80589CH00 | 0CA090 | CONDUTTURA RIBALTA-VALVOLA | PIPE MANIFOLD- GAS VALVE | 400 mm |
| 106 | 80589CF00 | 0CA086 | CONDUTTURA SX RIBALTA-VALVOLA | LEFT PIPE MANIFOLD- GAS VALVE | 800 mm SX |
| 106 | 80589CC00 | 0CA087 | CONDUTTURA DX RIBALTA-VALVOLA | RIGHT PIPE MANIFOLD- GAS VALVE | 800 mm DX |
| 107 | 80589CJ00 | 0CA091 | CONDUTTURA VALVOLA-BRUCIATORE | PIPE GAS VALVE BURNER | 400 mm 800 mm with oven DX |
| 107 | 806879501 | 0C6347 | CONDUTTURA VALVOLA-BRUCIATORE | PIPE GAS VALVE BURNER | 800 mm with oven SX |
| 107 | 80589CG00 | 0CA089 | CONDUTTURA SX VALVOLA-BRUCIATORE | LEFT PIPE GAS VALVE BURNER | 800 mm SX |
| 107 | 80589CD00 | 0CA088 | CONDUTTURA DX VALVOLA-BRUCIATORE | RIGHT PIPE GAS VALVE BURNER | 800 mm DX |
| 108 | 835853005 | 0C5246 | VALVOLA GAS | GAS VALVE | |
| 109 | 214191001 | 026783 | RACCORDO VALVOLA | VALVE CONNECTION | |
| 110 | 214164400 | 052125 | RACCORDO M10X1 FORO DA 4 | CONNECTION | |
| 111 | 215199700 | 052127 | BICONO SPEC.DA 4 | BICONICAL RING DIAM.4 | |
| 112 | 835853700 | 006650 | BRUCIATORE | BURNER | |
| 113 | 511805801 | 059375 | PORTAUGELLO | NOZZLE HOLDER | |
| 114 | 215088100 | 052062 | BOCCOLA REGOL.ARIA | BUSH, BURNER | |
| 115 | 0636800600 | 0C7190 | CAVO ACCENDITORE, VALVOLA GAS-ELETTRODO | IGNITION CABLE, GAS VALVE-ELECTRODE | 1550MM /4Ø ON ELECTRODE |
| 116 | 646808102 | 004269 | TERMOSTATO DI SICUREZZA | SAFETY THERMOSTAT | CHROME |
| 117 | 830884101 | 0C7102 | PILOTA | PILOT | |
| 118 | 214164101 | 057960 | RACCORDO FISSAGGIO CANDELA | NIPPLE, ELECTRODE | |
| 119 | 214162000 | 0C0121 | RACCORDO FISSAGG. TERMOCOPPIA | CONNECTION FOR THERMOCOUPLE | |
| 120 | 517808700 | 059161 | BICONO DIA.4 | BICONIC DIAM.4 | |
| 121 | 830863300 | 059380 | ELETTRODO DI ACCENSIONE | ELECTRODE, IGNITION | |
| 122 | 830852201 | 025031 | TERMOCOPPIA | THERMOCOUPLE | NOT CHROME |
| 122 | 831818901 | 0C3162 | TERMOCOPPIA INTERROTTA | INTERRUPTED THERMOCOUPLE | CHROME |
| 123 | 529836000 | 0C0169 | CHIUSURA PER CONVOGLIATORE | PROTECTION TIGHTENER | |
| 124 | 529835902 | 0C0168 | CONVOGLIATORE BRUCIATORE | PROTECTION, BURNER | |
| 125 | 529836101 | 0C0170 | CHIUSURA PER BRUCIATORE | OVEN BURNER TIGHTENER | |
| 126 | 511805401 | 059250 | PORTAUGELLO | INJECTOR HOLDER | |
| 127 | 214105101 | 020997 | CONTRODADO | LOCK NUT | |
| 128 | 830827102 | 054085 | AREATORE | AREATOR | |
| 129 | 830852501 | 020094 | TERMOCOPPIA FORNO | THERMOCOUPLE OVEN | |
| 130 | 529836201 | 0C0171 | SQUADRETTA PILOTA | BRACKET, PILOT | |
| 131 | 529836300 | 0C0172 | PROTEZIONE PILOTA | PROTECTION, PILOT | |
| 132 | 529836602 | 0C0175 | PARAFIAMMA BRUCIATORE FORNO | FLAME SPREADER, OVEN | |
| 133 | 513808901 | 0C6389 | CONDUTTURA VALVOLA BRUCIATORE | PIPE, BURNER-VALVE | |
| 134 | 215073101 | 060325 | BICONO, CONDUTTURA FORNO | DOUBLE CONE, OVEN PIPE | |
| 135 | 513809000 | 0C6390 | CONDUTTURA PILOTA FORNO | PIPE, OVEN PILOT | |
| 136 | 830860902 | 059221 | BRUCIATORE FORNO | OVEN BURNER | |

FRYTOP GAS E900XP
GAS FRYTOP E900XP

| Pos | Factory Code | Spare Code | Descrizione | Description | Ref./Notes |
|------------|------------------|---------------|----------------------|----------------------------|------------|
| 137 | 506833401 | 054029 | GUARNIZIONE UGELLO | GASKET, INJECTOR | |
| 138 | 214162000 | 0C0121 | RACCORDO TERMOCOPPIA | PIPE FITTING, THERMOCOUPLE | |
| 139 | 830863300 | 059380 | ELETTRODO | ELECTRODE | |
| 140 | 214164101 | 057960 | RACCORDO ELETTRODO | PIPE FITTING, ELECTRODE | |
| 141 | 830884101 | 0C7102 | PILOTA | PILOT BURNER | |
| 142 | 214164400 | 052125 | RACCORDO PILOTA | PIPE FITTING PILOT PIPE | |
| 143 | 517808700 | 059161 | BICONO PILOTA | DOUBLE CONE, PILOT | |
| | | | | | |



Electrolux Professional SPA
Viale Treviso 15
33170 Pordenone
www.electrolux-professional.com

NordCap GmbH & Co. KG
Thalendorststraße 15
28307 Bremen
Hauptsitz (Service, Finanzen & Personal, Lager, IT, Marketing)

Telefon: +49 421 48557-0
Telefax: +49 421 488650
E-Mail: bremen@nordcap.de

Die NordCap Verkaufsniederlassungen in Deutschland:

Nord: Hamburg • Ost: Berlin • Süd: Ingelheim • West: Erkrath

by **NordCap**[®]

ZANUSSI
PROFESSIONAL