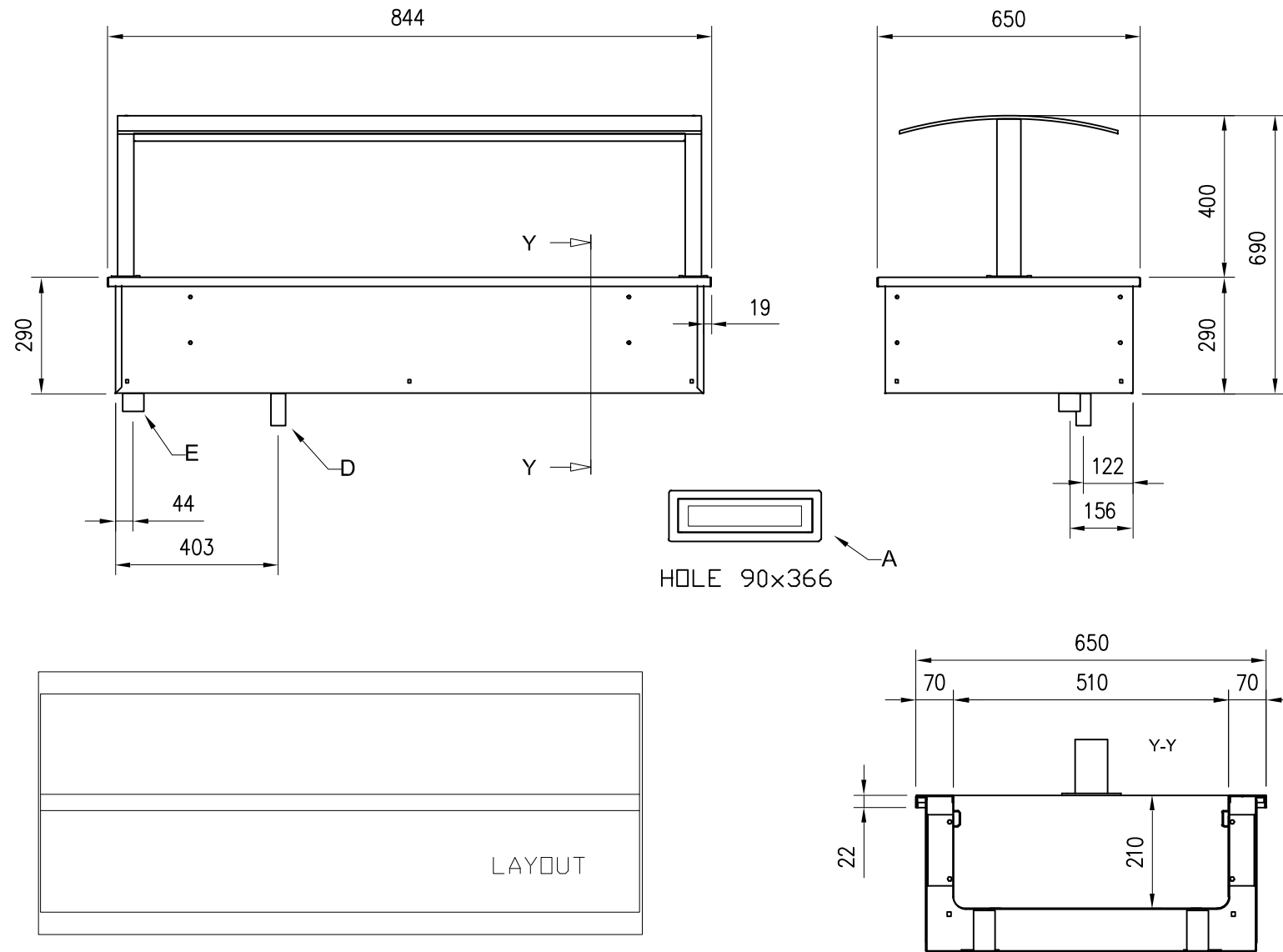


Masszeichnung Bain-Marie SOUL-RED 2/1

[Art. 434800001]



A= ELECTRICAL CONNECTION
D= WATER DISCHARGE G1/2"(M) ONLY BM
E= WATER INLET G3/4"(M) ONLY BM