

Ersatzteilliste-Explosionszeichnung

Elektro-Rostgrill ERG9 / 2H-UO-S

[Art. 406392271]



ELECTRIC GRILL E900 XP
GRIGLIA ELETTRICA E900 XP

PNC	Model	Ref	Brand	Version	Notes
391270	E9GREDGCFU	A	ELX	EL	ELECTRIC GRILL 400 MM
391271	E9GREHGCFU	B	ELX	EL	ELECTRIC GRILL 800 MM
392270	Z9GREDGCFU	C	ZAN	EL	ELECTRIC GRILL 400 MM
392271	Z9GREHGCFU	D	ZAN	EL	ELECTRIC GRILL 800 MM
393270	A9GREDGCFU	E	OEM	EL	ELECTRIC GRILL 400 MM
393271	A9GREHGCFU	F	OEM	EL	ELECTRIC GRILL 800 MM

Index

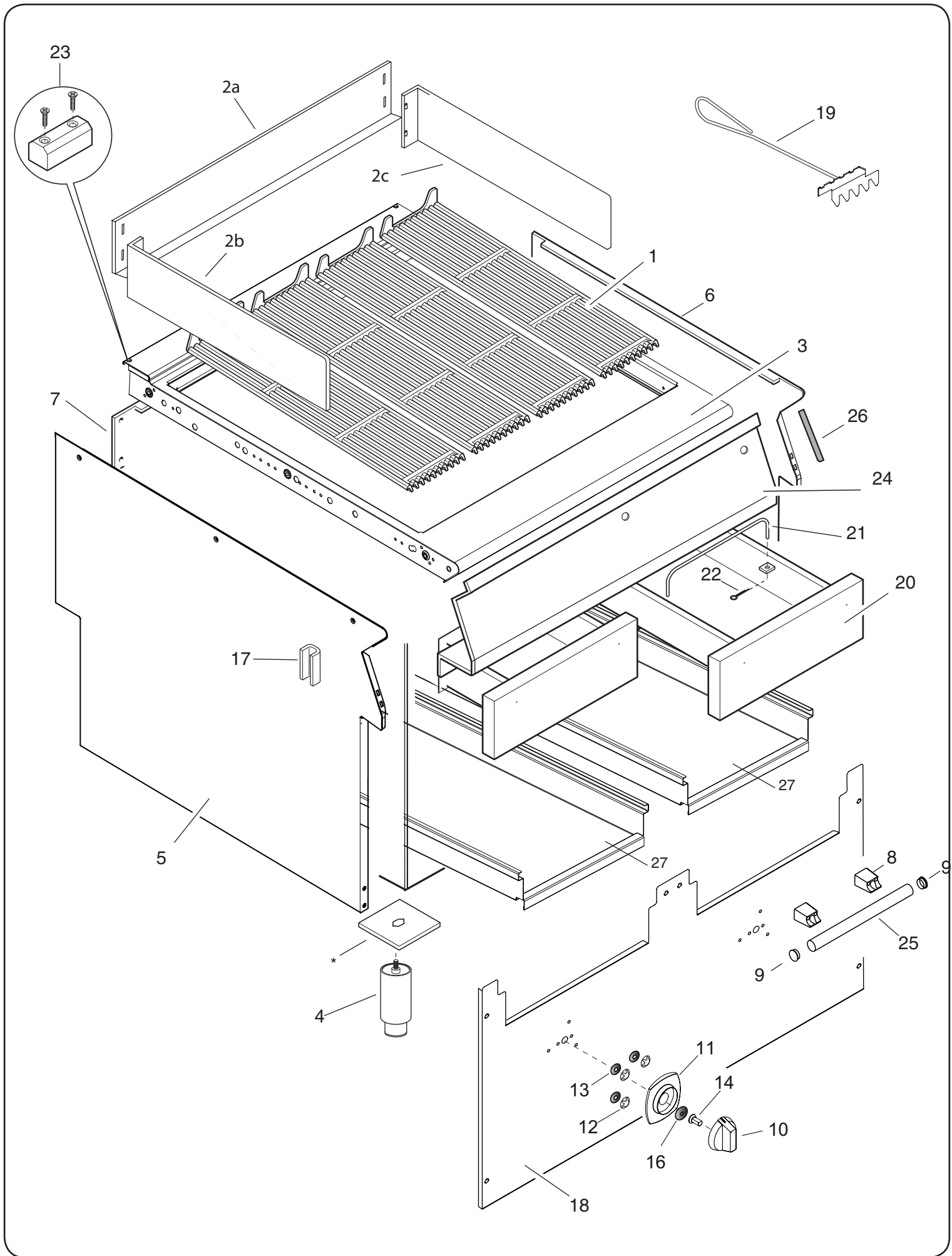
General components / Componenti generali
Electric components / Componenti elettrici
Spare parts list / Lista ricambi

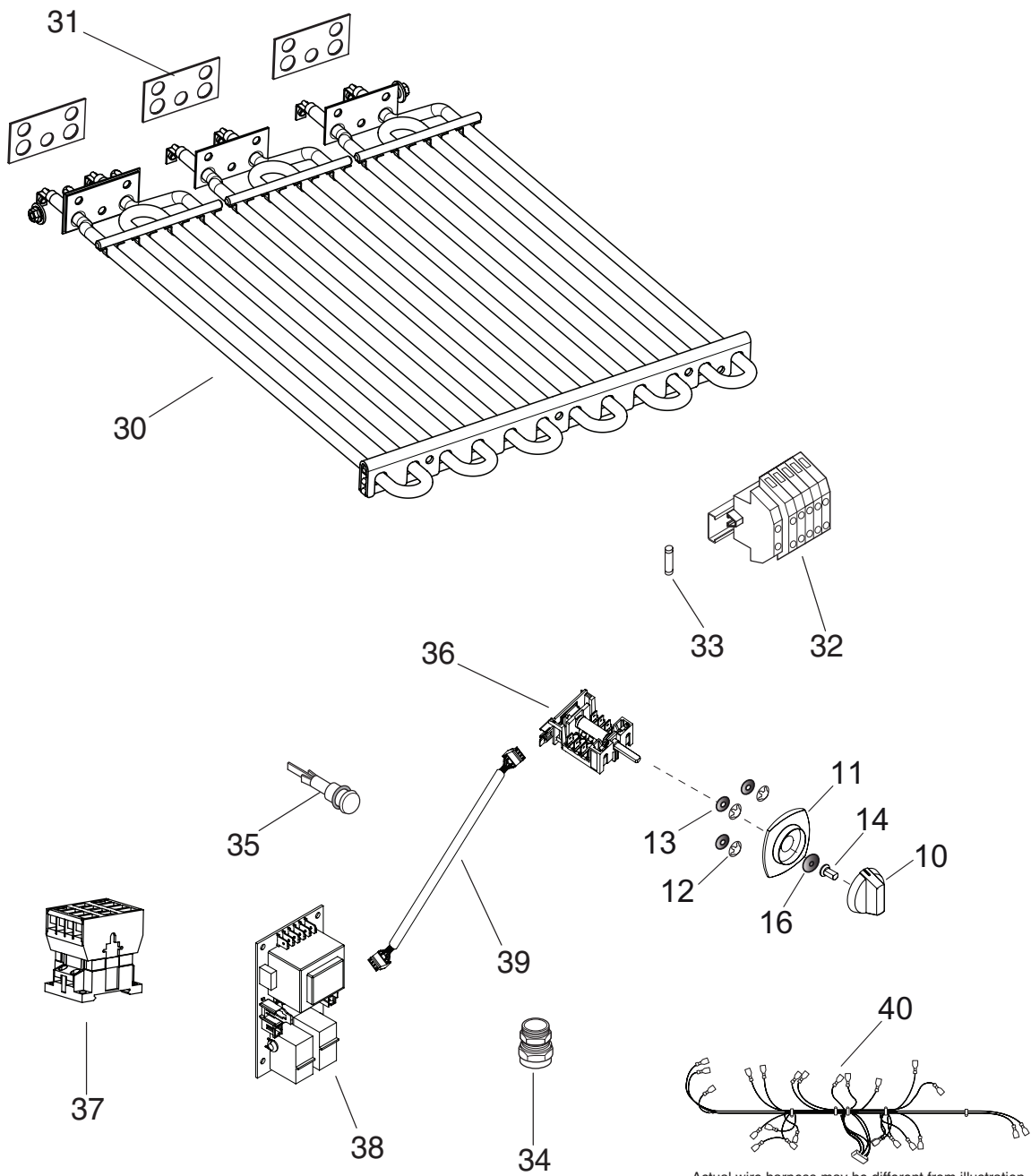
Page

2
3
4

Bold=last change / Grassetto =ultima modifica

Rev. 4





Actual wire harness may be different from illustration.

ELECTRIC GRILL E900 XP
GRIGLIA ELETTRICA E900 XP

Pos	Factory Code	Spare Code	Descrizione	Description	Ref./Notes
1	510828R00	0CB527	GRIGLIA GOLOSA GHISA SMALTATA	ENAMELLED IRON GRID	2pcs A,C,E
1	510828S00	0CB528	GRIGLIA GOLOSA GHISA SMALTATA	ENAMELLED IRON GRID	4pcs B,D,F
2a	500899400	*	PARETE POST. PARASPRUZZI	BACK PANEL SPLASHBACK	A,C,E
	500899300	*	PARETE POST. PARASPRUZZI	BACK PANEL SPLASHBACK	B,D,F
2b	500899B00	0CB423	PARETE SINISTRA PARASPRUZZI	LEFT PANEL SPLASHBACK	Depth 900
2c	500899C00	0CB424	PARETE DESTRA PARAS PRUZZI	RIGHT PANEL SPLASHBACK	Depth 900
3	87089Q300	*	RIPIANO, TOP	TOP	A,
	87089Q200	*	RIPIANO, TOP	TOP	B
	87089Q900	0CB533	RIPIANO, TOP	TOP	C,E
	87089Q800	*	RIPIANO, TOP	TOP	D,F
4	835856900	0C0204	PIEDE	FOOT	
5	085089LZ00	0CA368	FIANCO SINISTRO	LEFT PANEL	ELUX
5	085089M100	0CB152	FIANCO SINISTRO	LEFT PANEL	ZAN, OEM
6	085089LY00	0CA378	FIANCO DESTRO	RIGHT PANEL	ELUX
6	085089M000	0CA430	FIANCO DESTRO	RIGHT PANEL	ZAN, OEM
7	538844701		PANNELLO POSTERIORE	BACK PANEL	A,C,E 400 mm
	538844802		PANNELLO POSTERIORE	BACK PANEL	B,D,F 800 mm
8	500R01702	0C6891	SUPPORTO MANIGLIA	HANDLE SUPPORT	
9	530R01802	0C6823	TAPPO MANIGLIA	HANDLE PLUG	
10	548877W00	0C8700	MANOPOLA ELUX	KNOB	A,B WITH ADAPTER
	548878201	0C7232	MANOPOLA	KNOB	C,D,E,F
11	54887B500	*	GHIERA PER COMMUTATOTE	KNOB RING, SELECTOR	A,B
	54887B600	0C9970	GHIERA PER COMMUTATOTE	KNOB RING, SELECTOR	C,D,E,F
12	218912211	069567	MOLLETTA PER GHIERA	RING, RING KNOB	
13	541813800	0C6171	RONDELLA IN SILICONE	SILICONE ORING	
14	548877V00	0C7345	ADATTATORE MANOPOLA	KNOB ADAPTER	A,B
16	543821000	053816	GUARNIZIONE MANOPOLA	KNOB GASKET	
17	527850500	0C0156	PIASTRA FISSAGGIO FIANCHI	SIDE PANELS JOINTING PLATE	
18	80083A601	0CB331	PANNELLO FRONTALE	FRONT PANEL	A,C,E
	80083A701	0CB332	PANNELLO FRONTALE	FRONT PANEL	B,D,F
19	83089KH00	0C9974	RASCHIETTO	GRILL SCRAPER	
20	85089D501	0CA004	CASSETTO (senza maniglia)	DRAWER (without handle)	1pcs A,C,E 2pcs B,D,F
21	514885600	059299	MANIGLIA OLIO, INTERNO CASSETTO	INNER OIL DRAWER HANDLE	
22	219293205	0C0477	COPPIGLIA MANIGLIA	PIN HANDLE STOPPER	
23	*	0C9655	PIASTRA UNIONE POSTERIORE	JOINTING REAR PLATE	KIT :SCREWS & PLATE
24	85089MG00	*	CRUSCOTTO ½ MODULO	FRONT PAMEL ½ MODULE	A ELUX 400 mm
	85089MN00	*	CRUSCOTTO 1 MOD	FRONT PANEL	B ELUX 800 mm
	85589GJ00	0CA038	CRUSCOTTO ½ MODULO	FRONT PAMEL ½ MODULE	C ZAN 400 mm
	85089MQ00	*	CRUSCOTTO 1 MOD	FRONT PANEL	D ZAN 800 mm
	85089MM00	*	CRUSCOTTO ½ MODULO	FRONT PAMEL ½ MODULE	E OEM 400 mm
	85089MP00	*	CRUSCOTTO 1 MOD	FRONT PANEL	F OEM 800 mm
25	515899B01	0C6793	MANIGLIA CASSETTO	DRAWER HANDLE	A,B
	50389V000	0C7564	MANIGLIA CASSETTO	DRAWER HANDLE	C,D,E,F
26	0543821900	0C2496	GUARNIZIONE PER CRUSCOTTO	GASKET FOR CONTROL PANEL	
27	50289GX00	0CB328	PROTEZIONE INFERIORE CASSETTO	LOWER PROTECTION DRAWER	
30	0617839P00	0CA001	RESISTENZA 2500W	HEATING ELEMENT 2500W	3pcs x A,C,E 6pcs x B,D,F
31	543844S00	0C9968	GUARNIZIONE RESISTENZA	HEATING ELEMENT GASKET	

ELECTRIC GRILL E900 XP
GRIGLIA ELETTRICA E900 XP

Pos	Factory Code	Spare Code	Descrizione	Description	Ref./Notes
32	639811900	0C4759	MORSETTIERA	MAIN TERMINAL BLOCK	
33	652806100	0C4996	FUSIBILE	FUSE	5X20MM 3,15AMP
34	544802300	0C0068	PRESSACAVO	FIXING CABLE	
35	876800002	005010	LAMPADA SPIA VERDE	PILOT LAMP; GREEN	
36	641805900	0C9939	COMMUTATORE LINEARE GOTTAK	SELECTOR	
37	648807400	006879	CONTATTORE	RELAY	
38	673800600	0C9972	SCHEDA ELETTRONICA "SPARTA"	ELECTRONIC BOARD "SPARTA"	
39	*	0C9773	CAVETTO, SELETTORE/SPARTA	CABLE, SELECTOR/SPARTA	Just indicated cable
40	634803V00	0CA266	ASSIEME CAVI 1 MODULO	WIRING HARNESS	B,D,F
40	634803U00	0CB667	ASSIEME CAVI ½ MODULO	WIRING HARNESS	A,C,E



Electrolux Professional SPA
Viale Treviso 15
33170 Pordenone
www.electrolux-professional.com

NordCap GmbH & Co. KG
Thalendorststraße 15
28307 Bremen
Hauptsitz (Service, Finanzen & Personal, Lager, IT, Marketing)

Telefon: +49 421 48557-0
Telefax: +49 421 488650
E-Mail: bremen@nordcap.de

Die NordCap Verkaufsniederlassungen in Deutschland:

Nord: Hamburg • Ost: Berlin • Süd: Ingelheim • West: Erkrath

by **NordCap**[®]

ZANUSSI
PROFESSIONAL