

Ersatzteilliste-Explosionszeichnung

Gas-Kochkessel GKK7 / 60L

[Art. 406372269]



PENTOLE GAS-ELETTRICHE INDIRETTE 60Lt E700XP
GAS-ELECTRIC BOILING PAN INDIRECT HEATING 60Lt E700XP

PNC	Model	Ref	Brand	Version	Notes
371269	E7BSGHINF0	a	ELX	GAS	60 LT
371270	E7BSGHINFR	b	ELX	GAS	60 LT AUTO.REFILL
371272	E7BSEHINF0	c	ELX	EL	60 LT
371273	E7BSEHINFR	d	ELX	EL	60 LT AUTO.REFILL
371274	E7BSEHIN40	d	ELX	GAS	60 LT 60Hz
371275	E7BSEHIN4R	d	ELX	GAS	60 LT AUTO.REFILL 60Hz
372269	Z7BSGHINF0	e	ZAN	GAS	60 LT
372270	Z7BSGHINFR	f	ZAN	GAS	60 LT AUTO.REFILL
372272	Z7BSEHINF0	g	ZAN	EL	60 LT
372273	Z7BSEHINFR	h	ZAN	EL	60 LT AUTO.REFILL
373269	A7BSGHINF0	i	OEM	GAS	60 LT
373272	A7BSEHINF0	l	OEM	EL	60 LT

Index

Components / Componenti

Colapasta / Colander

Gas components and nozzles / Componenti gas e ugelli

Electric components / Componenti elettrici

Autorefill components / Componenti caricamento automatico

Spare parts list / Lista ricambi

Page

2

3

4-5

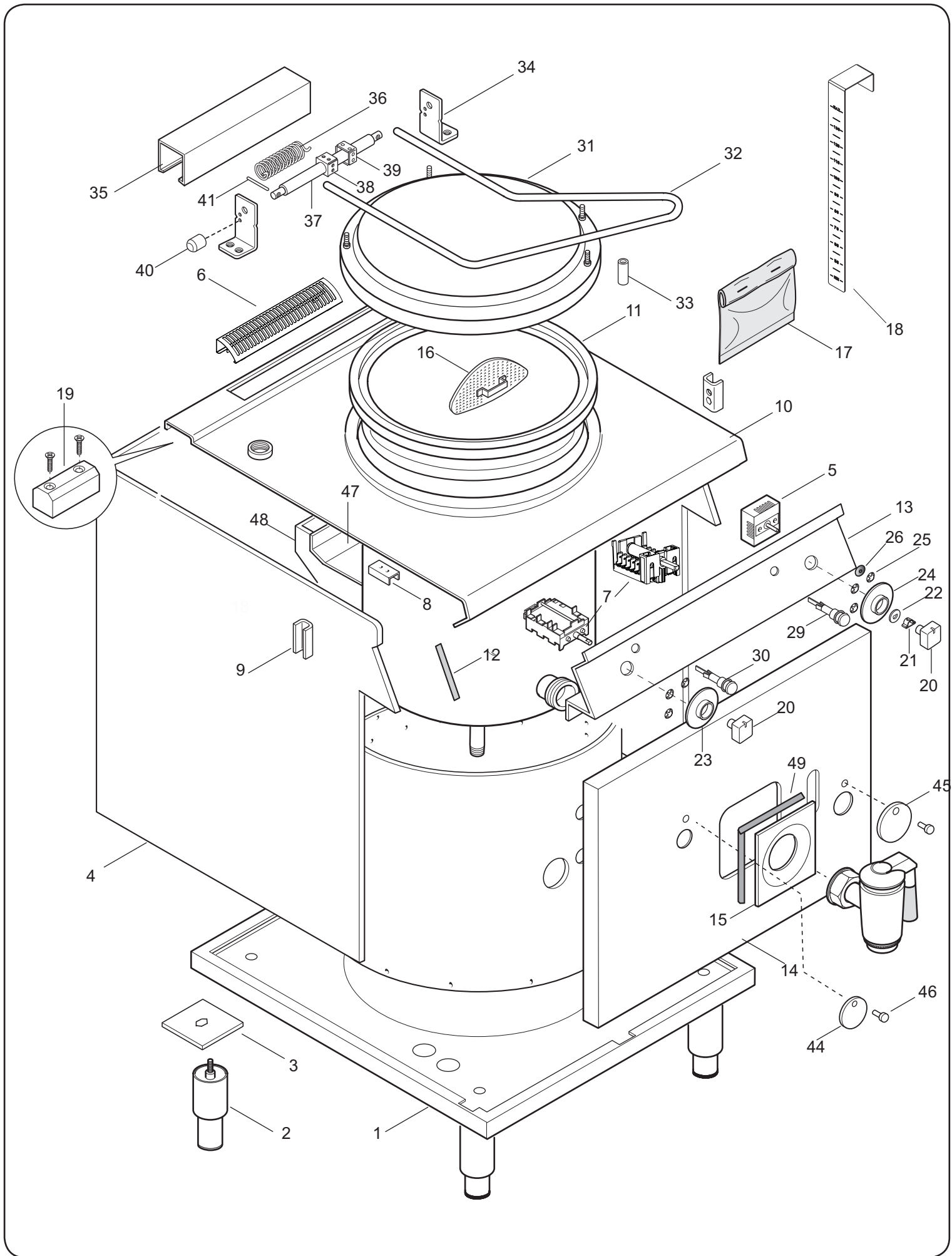
6

7

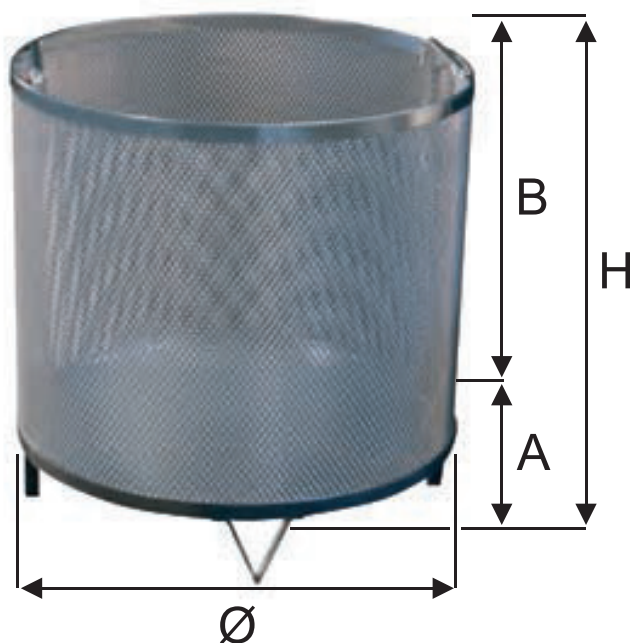
8-11

Bold=last change / Grassetto =ultima modifica

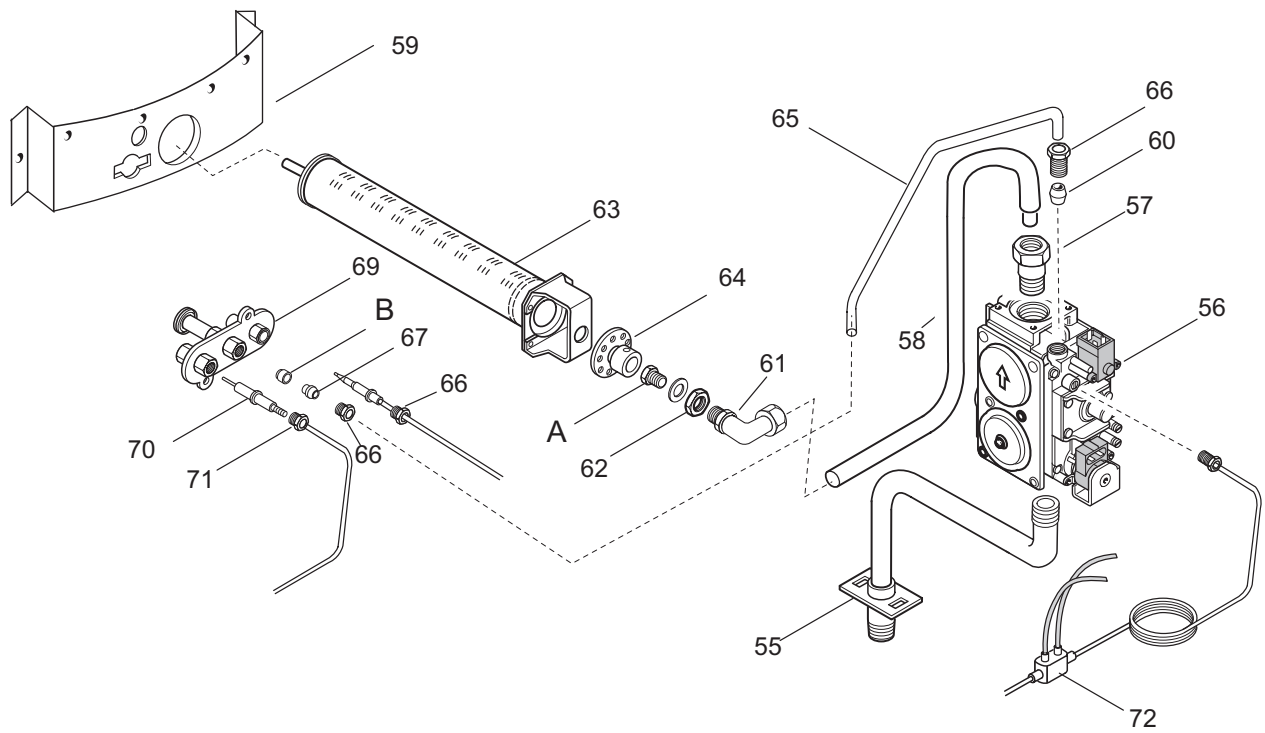
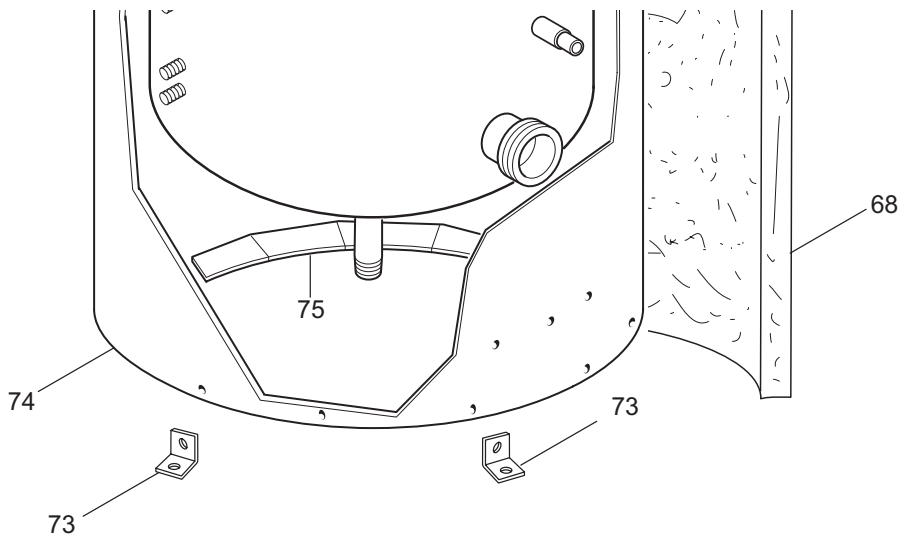
Rev. 5



LT	Ø	A	B	H
60	350	55	385	440

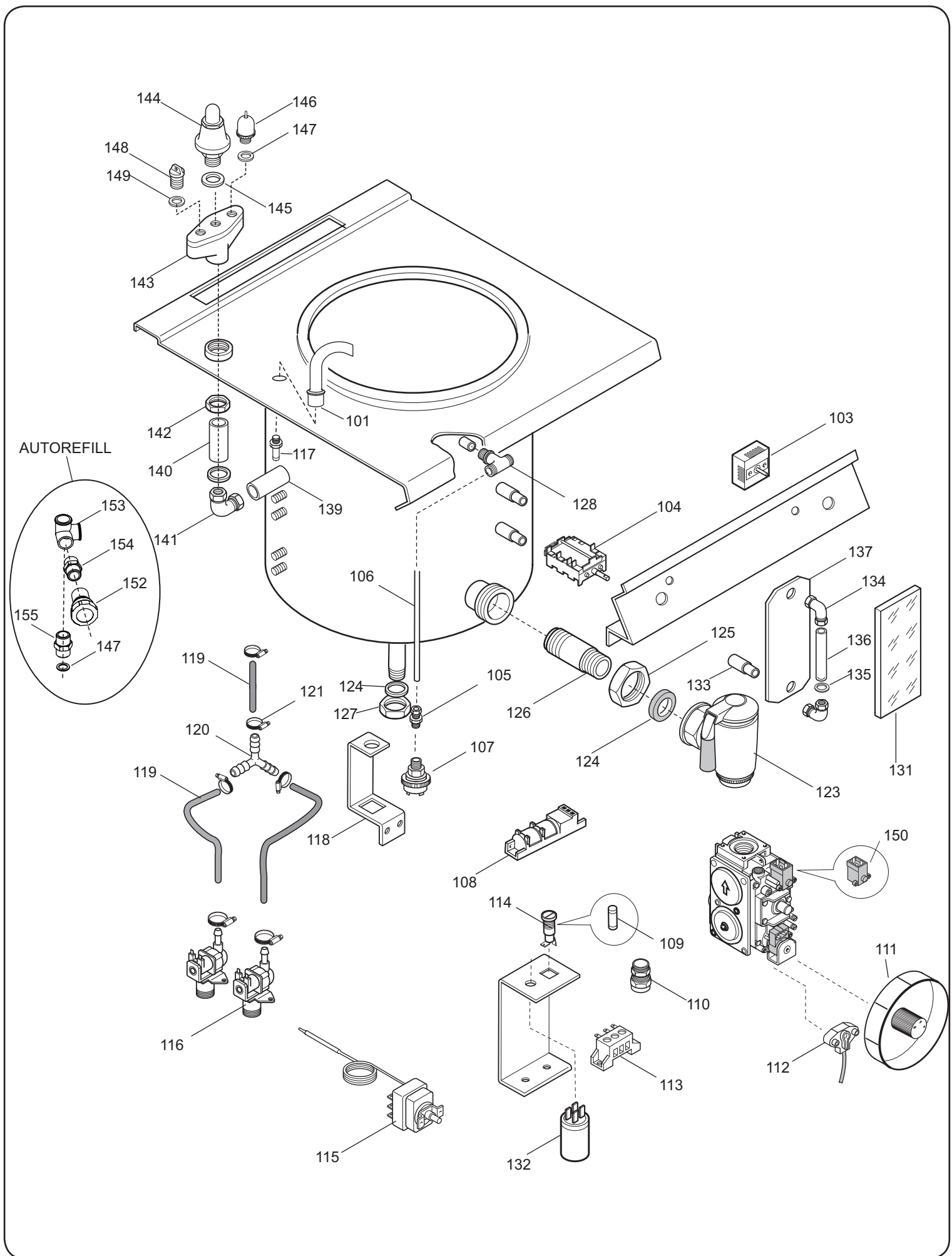


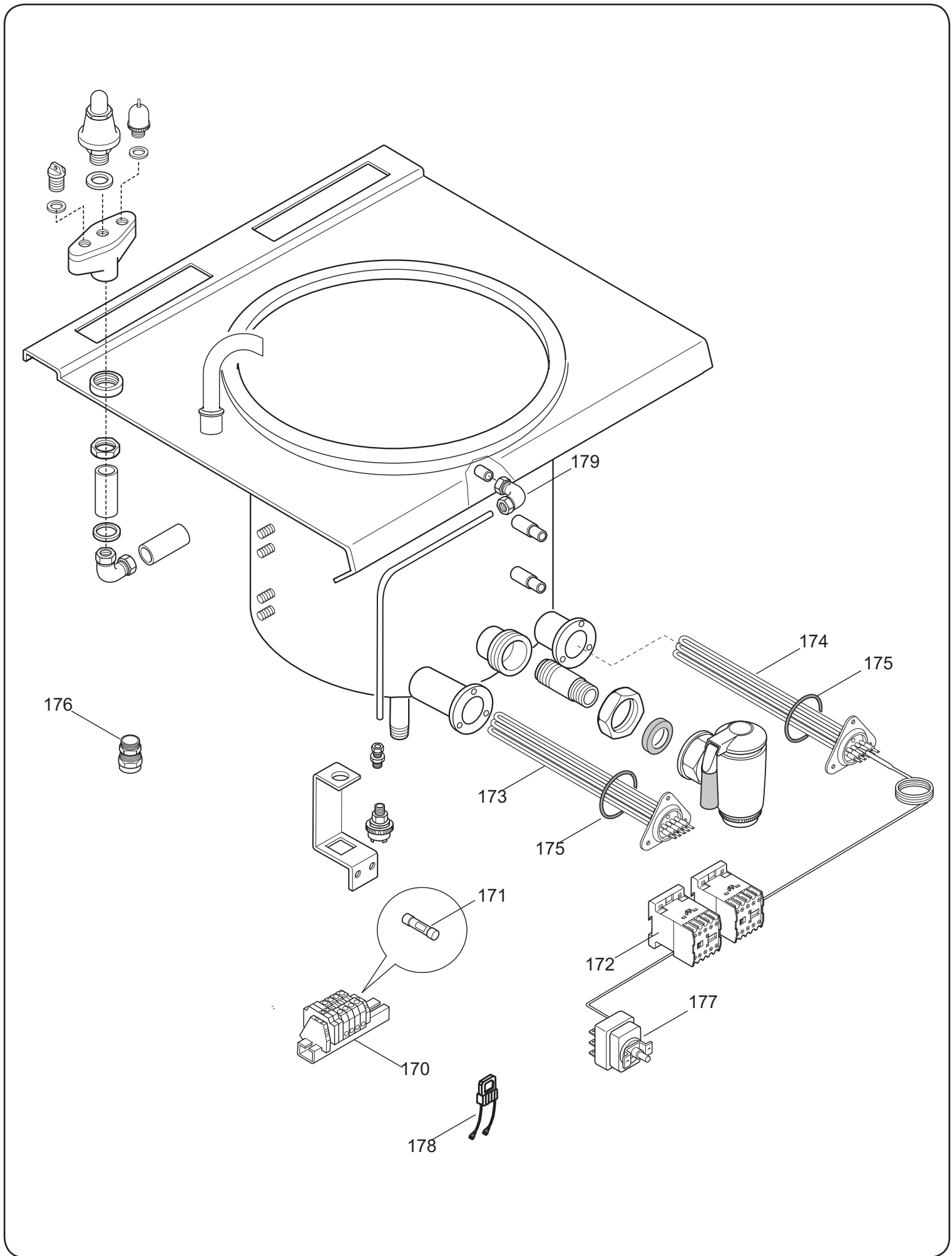
Factory Code	Spare Code	Descrizione	Description	Ref./Note
E73900320	0TTZQ0	COLAPASTA 60LT	COLANDER 60LT	

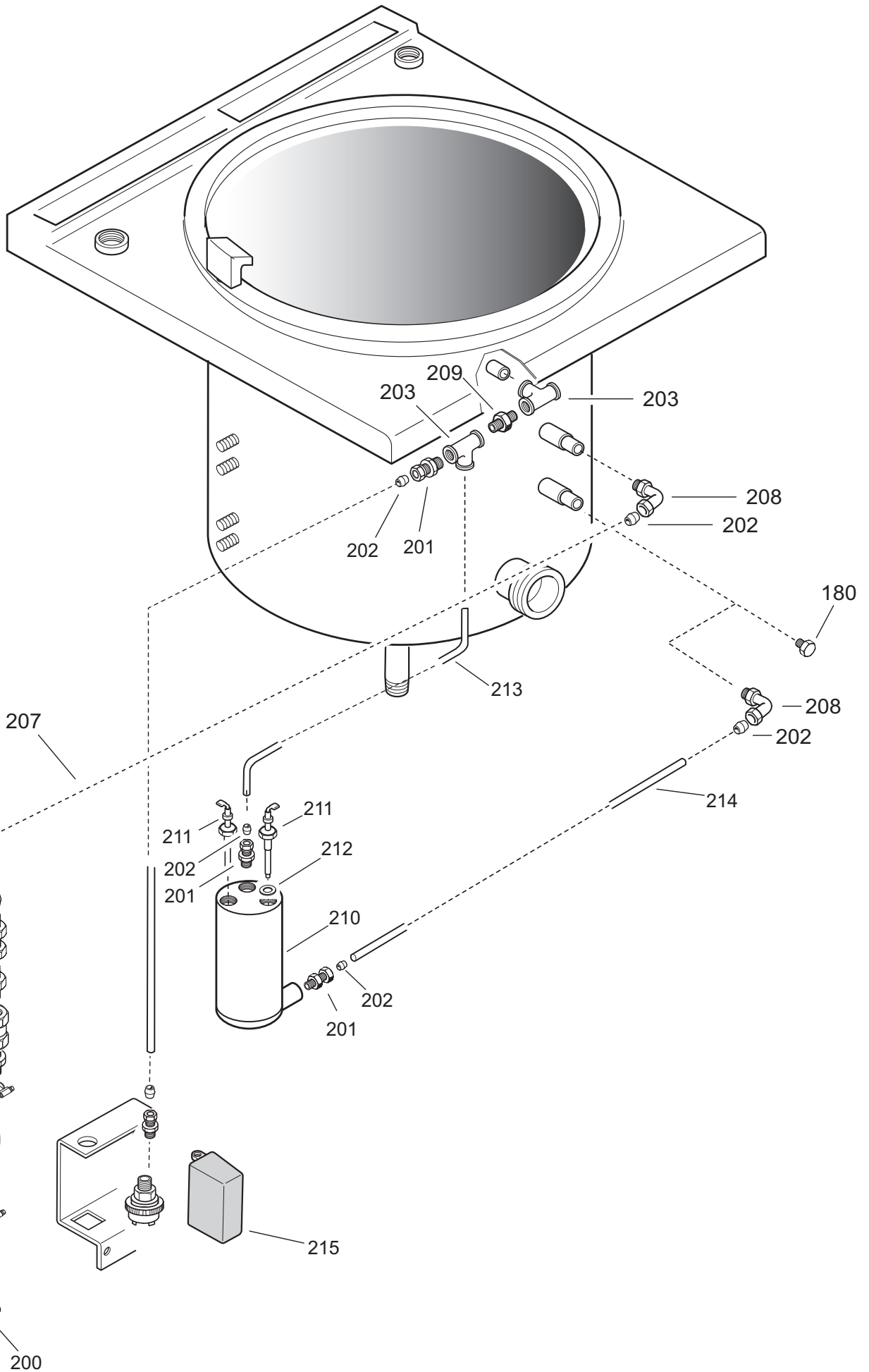


A - Ugello bruciatore / Burner nozzle			
Spare part Code	Ref.	Notes	
0C0509	ø1.85	3+3B/P	G30 30mbar
003723	ø1.75	3B/P	G30 37mbar
054127	ø1.65	3B/P	G30 50mbar
0C0551	ø2.85	2H/2E+	G20 20mbar
0C0747	ø2.70	2H	G20 25mbar
004856	ø2.95	2L	G25 25mbar
0C0551	ø2.85	2K	G25.3 25mbar
054632	ø3.10	2ELL	G25 20mbar
004856	ø2.95	2S	G25.1 25mbar
0C3079	ø6.25	No CE	G110 8mbar

B - Ugello pilota / Pilot nozzle			
Spare part Code	Ref.	Notes	
053667	n°30	3+3B/P	G30 30mbar
053667	n°30	3B/P	G30 37mbar
053667	n°30	3B/P	G30 50mbar
053670	n°41	2H/2E+	G20 20mbar
053670	n°41	2H	G20 25mbar
053670	n°41	2L	G25 25mbar
053670	n°41	2K	G25.3 25mbar
053670	n°41	2ELL	G25 20mbar
053670	n°41	2S	G25.1 25mbar
053669	n°75	No CE	G110 8mbar







PENTOLE GAS INDIRETTE 60Lt E700XP
 GAS BOILING PAN INDIRECT HEATING 60Lt E700XP

Pos	Factory Code	Spare Code	Descrizione	Description	Ref./Notes
1	050489KH04	*	FONDO PENTOLA GAS 60Lt	BOTTOM PANEL BOIL.PAN 60Lt	GAS
1	050489KJ03	*	FONDO PENTOLA ELE 60Lt	BOTTOM PANEL BOIL.PAN 60Lt	EL
2	0835856901	0C0204	PIEDE	FOOT	
3	050589CD00	*	PIASTRA DI RINFORZO PER PIEDI	PLATE FOR FOOT	
4	085089FF01	0C8598	RIVESTIMENTO LATERALE	EXTERNAL PANEL	ELX
4	085089FJ01	*	RIVESTIMENTO LATERALE	EXTERNAL PANEL	ZAN, OEM
5	0699802200	0C1605	REGOLATORE DI ENERGIA	ENERGY REGULATOR	
6	050389LM00	0C7705	GRIGLIA CAMINO	GRID FOR CHIMNEY	
7	0641802400	059544	COMMUTATORE 4 POSIZIONI	SWITCH 4 POSITION	
7	0641805401	0C9180	COMMUTATORE 4 POSIZIONI	SWITCH 4 POSITION	
8	*	*	SQUADRETTA FISSAGGIO RECIP.	BRACKET, CONTAINER FIXING	
9	0527850500	0C0156	PIASTRA FISSAGGIO FIANCHI	SIDE PANEL JOINTING PLATE	
10	087089CQ02	0C7706	RIPIANO PENTOLA DIRETTA 60Lt.	SHELF, IND.BOLING PAN 60Lt	GAS - ELX
10	087089CS02	0C7708	RIPIANO PENTOLA DIRETTA 60Lt.	SHELF, IND.BOLING PAN 60Lt	EL - ELX
10	087089KU02	0C7709	RIPIANO PENTOLA DIRETTA 60Lt.	SHELF, IND.BOLING PAN 60Lt	GAS - ZAN, OEM
10	087089KW02	0C7711	RIPIANO PENTOLA DIRETTA 60Lt.	SHELF, IND.BOLING PAN 60Lt	EL - ZAN, OEM
11	0873858601	0C2640	ASSIEME PENTOLA	TANK	
12	0543821900	0C2496	GUARNIZIONE PER CRUSCOTTO	GASKET, CONTROL PANEL	
13	085089DM02	0C7537	CRUSCOTTO	CONTROL PANEL	ELX
13	087089GV01	0C7558	CRUSCOTTO	CONTROL PANEL	ZAN
13	050389TS01	0C8058	CRUSCOTTO	CONTROL PANEL	OEM
14	050389Y800	0C7812	PANNELLO FRONTALE 60 L	FRONT PANEL BOIL.PAN 60Lt	AS
14	050389Y900	0C7813	PANNELLO FRONTALE 60 L	FRONT PANEL BOIL.PAN 60Lt	EL
14	050389YA00	0C7814	PANNELLO FRONTALE 60 L	FRONT PANEL BOIL.PAN 60Lt	GAS - AUTO REFIL
14	050389YB00	0C7815	PANNELLO FRONTALE 60 L	FRONT PANEL BOIL.PAN 60Lt	EL - AUTO REFIL
15	0530800800	0C1575	PANNELLINO BOCCHETTONE	PANEL FOR DRAIN TAP	
16	0310122725	027114	GRIGLIA DI SCARICO	DRAIN GRID	
17	0858800100	0C1876	KIT ANTI-CORROSIONE	ANTICORROSIVE KIT	
18	050589N901	*	ASTA TACCHE LIVELLI E CAPACITA'	MEASURING ROD	
19	0516860702	0C0137	PIASTRINA GIUNZIONE	JOINTING REAR PLATE	
20	0511850G01	0C6670	MANOPOLA	KNOB	ELX
20	0548877V00	0C7345	ADATTATORE MANOPOLA	KNOB, ADAPTER	ELX
20	0548878201	0C7232	MANOPOLA	KNOB	ZAN
20	0548865500	0A5621	MANOPOLA	KNOB	OEM
21	0214590701	025245	MOLLETTA PER MANOPOLA	SPRING, KNOB	
22	0543821000	053816	GUARNIZIONE MANOPOLA	GASKET, KNOB	
23	0548877B01	0C7526	GHIERA CARICO ACQUA	KNOB RING, WATER	ELX
23	0548879M00	0C7532	GHIERA CARICO ACQUA	KNOB RING, WATER	ZAN, OEM
24	0548877U00	0C7527	GHIERA REGOLATORE ENERGIA	KNOB RING, ENERGY REGULATOR	ELX
24	054887A200	0C7534	GHIERA REGOLATORE ENERGIA	KNOB RING, ENERGY REGULATOR	ZAN, OEM
25	0218912211	069567	MOLLETTA PER GHIERA MANOPOLA	SPRING, KNOB RING	
26	0541813800	0C6171	RONDELLA SILICONE	SILICONE GASKET	
29	0876800002	005010	LAMPADA SPIA VERDE	GREEN LAMP	
30	0876800201	0C0687	LAMPADA SPIA ROSSA	RED LAMP	
31	0806806204	004843	COPERCHIO PENTOLA	LID PAN	
32	0517847707	004844	MANIGLIA PENTOLA	HANDLE, LID PAN	
33	0517847904	004845	DISTANZIALE MANIGLIA	SPACER FOR HANDLE	
34	0806844802	*	SUPPORTO COPERCHIO	LID SUPPORT	
35	0523815207	0C8724	COPERTURA CERNIERA	COVERING HINGE	

PENTOLE GAS INDIRETTE 60lt E700XP
GAS BOILING PAN INDIRECT HEATING 60lt E700XP

Pos	Factory Code	Spare Code	Descrizione	Description	Ref./Notes
36	0516829902	004850	MOLLA COPERCHIO	SPRING LID	
37	0516829805	004846	PENO CERNIERA	PIN HINGE	
38	0527800402	0A5570	BLOCCO ESTERNO CERNIERA	HINGE EXTERNAL BLOCK	
39	0527800501	0A5571	BLOCCO INTERNO CERNIERA	HINGE INTERNAL BLOCK	
40	0A05664001	0A2612	AGGANCIO	HOOK	
41	0A05918800	0C5084	SPINA ELASTICA	ELASTIC PIN	
42					
43					
44	0508837201	002534	SPORTELLINO, FORO D'ISPEZIONE	DOOR, INSPECTION HOLE	
45	0527843000	0C1563	SPORTELLINO PER VALVOLA	DOOR, GAS VALVE	
46	0214473001	026187	PERNO PER SPORTELLINO	PIN, FIXING DOOR	
47	0502899404	*	SUPERIORE CAMINO	FRONT WALL CHIMNEY	
48	0502899504	*	INFERIORE CAMINO	BACK WALL CHIMNEY	
49	0140088006	0L0113	GUARNIZIONE	GASKET	
55	0805899H04	0C6379	TUBO ENTRATA GAS	GAS PIPE	GAS
56	0835819901	002903	VALVOLA SIT	GAS VALVE SIT	GAS
57	0830873200	002074	RACCORDO DRITTO	CONNECTION, OUT VALVE	GAS
58	0517893501	0C8064	CONDUTTURA VALVOLA-BRUC.	GAS PIPE VALVE-BURNER	GAS
59	0502899003	0C1624	PANNELLO ANTERIORE SUPP.BRUC.	FRONT PANEL, BURNER SUPPORT	GAS
60	0515827401	053665	BICONO	DOUBLE CONE	GAS
61	0511805401	059250	PORTAUGELLO	NOZZLE HOLDER	GAS
62	0214105101	020997	CONTRODADO	LOCK NUT, NOZZLE HOLDER	GAS
63	0830816204	004847	BRUCIATORE	BURNER	GAS
64	0830828001	054039	AREATORE	AREATOR	GAS
65	0517893601	0C8063	CONDUTTURA PILOTA	PILOT PIPE	GAS
66	0214164400	052125	RACCORDO	CONNECTION	GAS
67	0215199700	052127	BICONO SPECIALE	DOUBLE CONE	GAS
68	0560850402	0CB325	PANNELLO ISOLANTE	INSULATION	GAS
69	0A05488001	0A2472	BRUCIATORE PILOTA	PILOT BURNER	GAS
70	0330272401	052610	ELETTRODO ACCENSIONE	ELECTRODE IGNITION	GAS
71	0214164101	057960	RACCORDO FISS. CANDELA	NIPPLE, ELECTRODE	GAS
72	0831818901	0C3162	TERMOCOPPIA INTERROTTA	INTERRUPTED THERMOCOUPLE	GAS
73	0508818601	0C0814	SQUADRETTA TAMBURO FONDO	PLATE FOR FIXING CYLINDER	GAS
74	0533821905	*	TAMBURO FUMI	CYLINDER, COMBUSTION	GAS
75	0524898001	*	ANELLO FUMI	RING	GAS
101	0831840901	0C4146	EROGATORE ACQUA	WATER DISTRIBUTOR	
102					
103	0699802200	0C1605	REGOLATORE ENERGIA	ENERGY REGULATOR	
104	0641802400	059544	COMMUTATORE	COMMUTATOR	
105	0515863500	0C0888	RACCORDO PER PRESSOSTATO	NIPPLO,PRESSURE SWITCH	
106	0517893700	0CA058	CONDUTTURA PRESSOSTATO	PIPE,PRESSURE SWITCH	
107	0646815500	0C4083	PRESSOSTATO	PRESSURE SWITCH	
108	0624804700	004240	ACCENDITORE	LIGHTER	GAS
109	0452140500	057783	FUSIBILE AUSILIARIO 4A	FUSE 4 A	GAS
110	0544802200	0C2328	PRESSACAVO	TOGHTENER CORD	GAS
111	0548864302	0C3218	MANOPOLA PER VALVOLA GAS	KNOB, GAS VALVE	GAS
112	0830831400	054539	MICRO	MICRO	GAS
113	0639804900	046357	MORSETTIERA	MAIN TERMINAL	GAS
114	0652800401	056582	PORTAFUSIBILE	FUSE HOLDER	GAS
115	0646813200	0C0999	TERMOSTATO TEMPERATURA FISSA	SAFETY THERMOSTAT	GAS
116	0696805700	0C3254	ELETTROVALVOLA	MAGNETIC VALVE	

PENTOLE GAS INDIRETTE 60L E700XP
GAS BOILING PAN INDIRECT HEATING 60L E700XP

Pos	Factory Code	Spare Code	Descrizione	Description	Ref./Notes
117	0511829101	0C5100	RACCORDO A RESCA	PIPE JUNCTION	
118	0527842102	0C7083	SUPPORTO PRESSOSTATO	PLATE,PRESSURE SWITCH	
119	0140068008	002707	TUBO CORAZZATO	FEEDING PIPE	
120	0544615700	047431	RACCORDO A Y	Y CONNECTION	
121	0835823600	*	FASCETTA	HOSE CLAMP	
122					
123	0835832700	002520	RUBINETTONE SCARICO	DRAIN TAP	
124	0543800200	052902	GUARNIZIONE SCARICO	GASKET DRAIN	
125	0517881000	0C1577	CONTRODADO RUBINETTONE	LOCK NUT DRAIN TAP	
126	0516880202	0C2576	PROLUNGA SCARICO	PIPE EXTENSION DRAIN	
127	0210360300	051717	DADO CIECO SCARICO INTERC.	CAP NUT DRAIN INTERSPACE	
128	*	*	GOMITO 3/4"	ELBOW 3/4"	
131	0574807300	004861	VETRINO CONTROLLO VISIVO	GLASS FOR VISUAL CONTROL	
132	0694601000	046217	FILTRO ANTIDISTURBO	FILTER	
133	0516882400	0CA731	PROLUNGA PER TUBI LIVELLO	EXTENSION, LEVEL CONTROL TUBE	
134	0830878901	002188	RACCORDO TUBETTO IN VETRO	CONNECTION TO GLASS PIPE	
135	0544802100	002923	OR	OR	
136	0574804201	002986	TUBETTO CONTROLLO LIVELLO	PIPE FOR WATER LEVEL CONTROL	
137	0508878101	*	SCHERMO PER LIVELLO	PLATE, WATER LEVEL CONTROL	
138					
139	0215111012	051681	CONDUTTURA ORIZZONTALE	HORIZONTAL PIPE	
140	0215110819	051680	CONDUTTURA VERTICALE	VERTICAL PIPE	
141	0511822700	0C8074	GOMITO 3/4"	ELBOW 3/4"	without AUTOREFILL
142	0514857001	0CB324	DADO	NUT	
143	0210976402	054808	POLMONE PORTA VALVOLE	SUPPORT VALVE	
144	0835845101	004863	VALVOLA SICUREZZA	SAFETY VALVE	
145	0543804102	054807	GUARNIZIONE VALVOLA	GASKET FOR VALVE	
146	0335239101	051566	VALVOLA DEPRESSIONE	DEPRESSION VALVE	
147	0246005123	0C3448	GUARNIZIONE VALVOLA DEPRES.	GASKET, DEPRESSION VALVE	
148	0210362114	027297	TAPPO PER POLMONE	TAP, SUPPORT VALVE	
149	0246173500	027300	GUARNIZIONE TAPPO	GASKET, TAP	
150	*	0K3020	BOBINA VALVOLA SIT 220/240V 50Hz	COIL GAS VALVE SIT 220/240V 50 Hz	GAS
151	831845301	0K2446	RACCORDO G3/4 X VALVOLA SFIATO + TUBO	JUNCTION	AUTO REFILL - b d f h
152	835872900	0H6537	VALVOLA SFIATO AUTOMATICA G3/4	AUTOMATIC VENT VALVE	AUTO REFILL - b d f h
153	510827701	0C8075	RACCORDO GOMITO FILL. G3/4 F-F-F	ELBOW JUNCTION	AUTO REFILL - b d f h
154	511824100	0C9090	NIPPLES G3/4 M-M AISI 316	NIPPLES G3/4 M-M AISI 316	AUTO REFILL - b d f h
155	511851200	*	NIPPLES G3/4 M-M CW617N	NIPPLES G3/4 M-M CW617N	AUTO REFILL - b d f h
170	0639805900	059794	MORSETTIERA CON PORTAF.	MAIN TERMINAL	EL
171	0452140500	057783	FUSIBILE AUSILIARIO 4-A 250V	FUSE 4A - 250V	EL
172	0648807400	006879	CONTATTORE	CONTACTOR	EL
173	0617816000	002523	RESISTENZA 4.7KW 230V	HEATING ELEMENT 4.7kW 230V	EL up to 6441
173	0617839X01	0CA889	RESISTENZA 4.7KW 220/230V CON PORTABULBO	HEATING ELEMENT 4.7kW 220/230V with BULBHOLDER	EL from 6451 See TB PDX2017-03
174	0617816100	002524	RESISTENZA con PORTABULBO	HEATING ELEM. with BULBHOLDER	EL up to 6441
175	0543800700	046213	GUARNIZIONE PER RESISTENZA	GASKET, HEATING ELEMENT	EL
176	0544802300	0C0068	PRESSACAVO	TOGHTENER CORD	EL
177	0646814900	0C2983	LIMITATORE TEMPERATURA	SAFETY THERMOSTAT	EL
178	0694805500	0C3805	SNUBBER	SNUBBER	EL
179	0A05633700	0CA130	GOMITO	ELBOW	a, c, e, g, i
180	511819900	0CB037	TAPPO MASCHIO ART A7 FIL ¼ OT CRT METALWORK	MALE PLUG	AUTO REFILL

PENTOLE GAS INDIRETTE 60Lt E700XP
 GAS BOILING PAN INDIRECT HEATING 60Lt E700XP

Pos	Factory Code	Spare Code	Descrizione	Description	Ref./Notes
200	0696805000	0C0938	ELETTROVALVOLA	WATER VALVE	AUTO REFILL
201	0515863500	0C0888	RACCORDO	NIPPLE	AUTO REFILL
202	51689A800	0CB036	BICONO DI TENUTA DIAM.6	DOUBLE CONE DIAM.6	AUTO REFILL
203	0511820700	0C1449	RACCORDO T	T UNION PIPE	AUTO REFILL
204	051489GN00	*	RACCORDO A RESCA	PIPE JUNCTION	AUTO REFILL
205	0835825500	058258	VALVOLA DI RITEGNO	NON RETURN VALVE	AUTO REFILL
206	0511819600	0CA744	RIDUZIONE	REDUCTION UNION PIPE	AUTO REFILL
207	0831812100	0C0940	CONDUTTURA ELETTR.-LIVELLO MAX	PIPE, MAGN.VALVE - MAX LEVEL	AUTO REFILL
208	*	*	RACCORDO A L	L UNION PIPE	AUTO REFILL
209	0511820000	0CB035	NIPPLO N8 ¼ GAS UNI 5192-86	NIPPLE N8 ¼ GAS	AUTO REFILL
210	0831812100	0C0940	BOTTIGLIA CONTROLLO DI LIVELLO	BOTTLE, CONTROL LEVEL	AUTO REFILL
211	0831812000	0C0939	SONDA H175	PROBE H175	AUTO REFILL
212	0516873100	0C5234	DISTANZIALE	SPACER	AUTO REFILL
213	0831812100	0C0940	CONDUTTURA SFIATO BOTTIGLIA	PIPE, BOTTLE	AUTO REFILL
214	*	*	CONDUTTURA LIVELLO INF.	PIPE, DRAIN JACKET - BOTTLE	AUTO REFILL
215	0646813400	0C0937	REGOLATORE DI LIVELLO GICAR	GICAR, LEVER REGULATOR	AUTO REFILL



Electrolux Professional SPA
Viale Treviso 15
33170 Pordenone
www.electrolux-professional.com

NordCap GmbH & Co. KG
Thalendorststraße 15
28307 Bremen
Hauptsitz (Service, Finanzen & Personal, Lager, IT, Marketing)

Telefon: +49 421 48557-0
Telefax: +49 421 488650
E-Mail: bremen@nordcap.de

Die NordCap Verkaufsniederlassungen in Deutschland:

Nord: Hamburg • Ost: Berlin • Süd: Ingelheim • West: Erkrath

by **NordCap**[®]

ZANUSSI
PROFESSIONAL