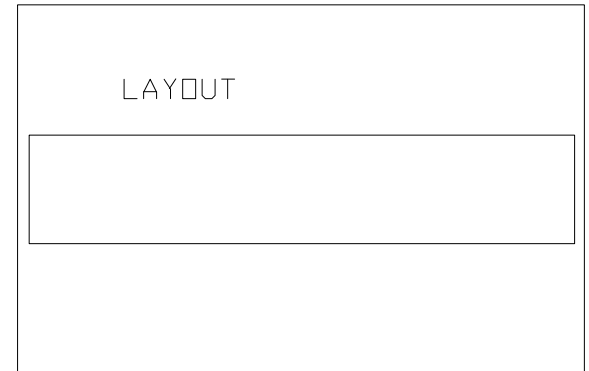
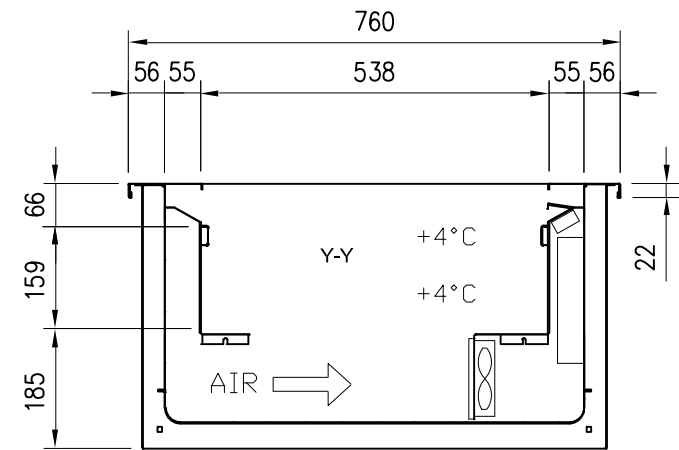
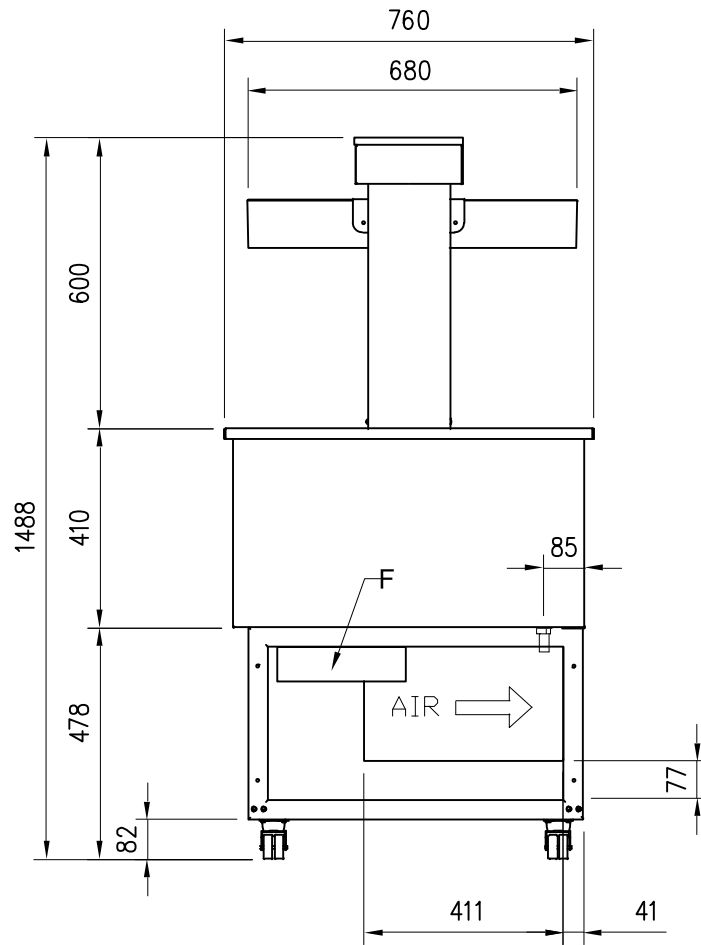
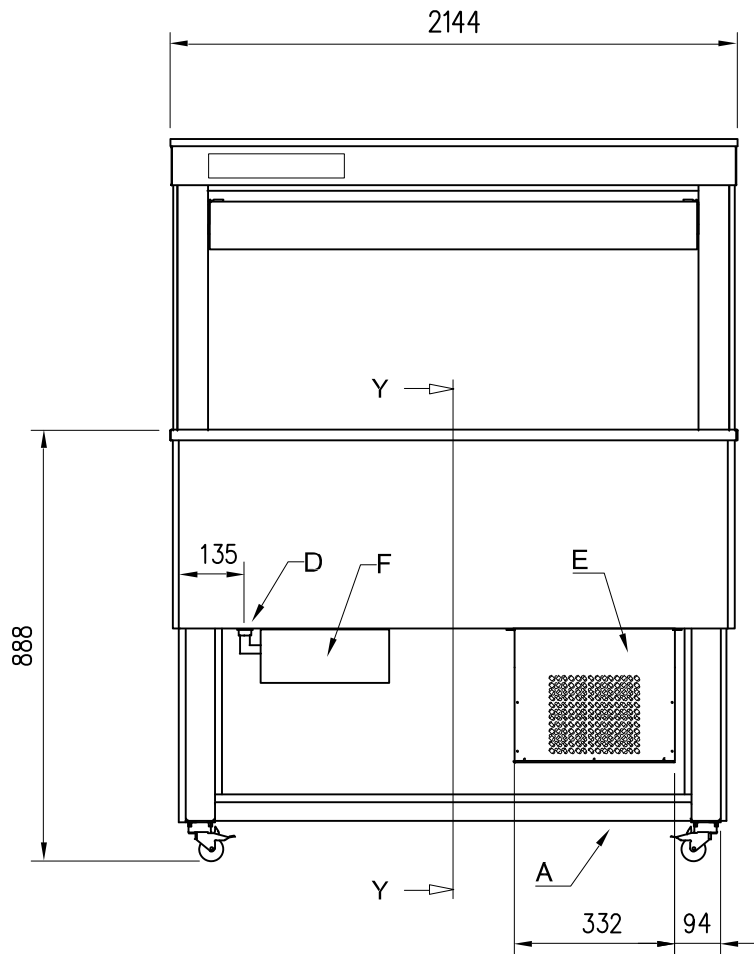


Masszeichnung Salatbar TR-BLUE 6/1-UMLUFT

[Art. 434717001]



- A= ELECTRICAL CONNECTION
- D= WATER DISCHARGE $\varnothing 16$
- E= GAS CONNECTION $\varnothing 8$ $\varnothing 10$
- F= WATER BOX