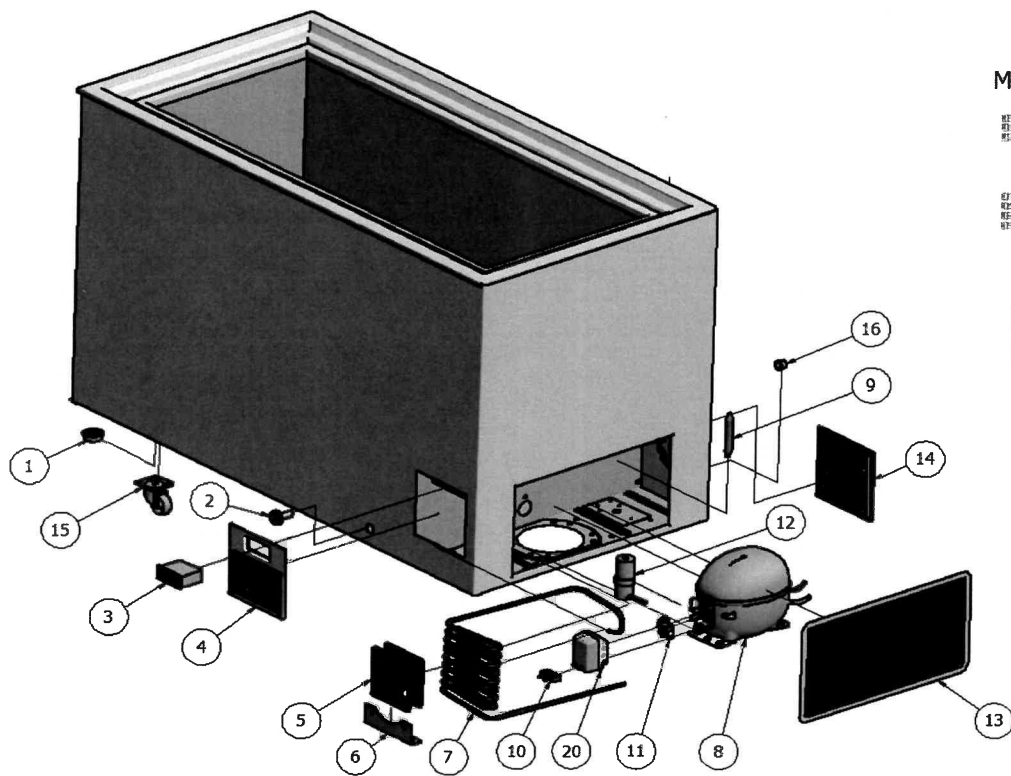


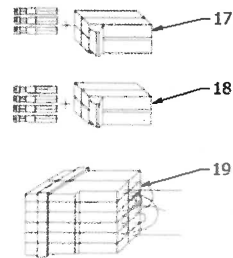
Ersatzteilliste-Explosionszeichnung

Labor-Tiefkühltruhe Serie EL LT (R-290)





Multi Plugsystem



ITEM NO.	PCS	DESCRIPTION	MODEL 11		MODEL 21		MODEL 31		MODEL 41		MODEL 51	
			CODE		CODE		CODE		CODE		CODE	
1	4	Plastic foot	SP1412 SP1413		SP1412 SP1413		SP1412 SP1413		SP1412 SP1413		SP1412 SP1413	
2	1	Stopper for drain	E1HU		E1HU		E1HU		E1HU		E1HU	
4	1	Front ventilation grill	PLASTMFP13		PLASTMFP13		PLASTMFP13		PLASTMFP13		PLASTMFP13	
6	1	Bracket for fan	Beslag BL		Beslag BL		Beslag BL		Beslag BL		Beslag BL	
7	1	Precondensor	Forkondl1		Forkondl1		Forkondl1		Forkondl1		Forkondl1	
9	1	Filter dryer	Filter6XH9		Filter6XH9		Filter6XH9		Filter6XH9		Filter6XH9	
13	1	Cover for motor room	SP1417		SP1417		SP1417		SP1417		SP1417	
14	1	Square grill	E51H		E51H		E51H		E51H		E51H	
15	1	Wheels set(2 w. brake)	8100.0202		8100.0202		8100.0202		8100.0202		8100.0202	
16	1	Cable retainer	E59Aflast1		E59Aflast1		E59Aflast1		E59Aflast1		E59Aflast1	
17	1	Plug with two pins										
18	1	Plug with four pins										

230 volt 50 Hz

STANDARD

3	1	Electronic thermostat Incl. sensor	DIXELL30CH2		DIXELL30CH2		DIXELL30CH2		DIXELL30CH2		DIXELL30CH2	
5	1	Fan230V	BLAES230HBT		BLAES230HBT		BLAES230HBT		BLAES230HBT		BLAES230HBT	
8	1	Compressor 230V 50HZ, R290	NEU2140U		NEU2155U		NEU2168U		NEU2168U		NT2180U	
19	1	Multiplug with cable	TSK0104		TSK0104		TSK0102		TSK0101		TSK0102	
11	1	Starting relay	NEU2140URE		NEU2155URE		NEU2168URE		NEU2168URE			
12	1	Starting capacitor	NEU2140USK		NEU2155USK		NEU2168USK		NEU2168USK			
		Motor protector/ KLIXON	NEU2140UKL		NEU2155UKL		NEU2168UKL		NEU2168UKL			
20	1	Cover	103N2009		103N2009		103N2009		103N2009		103N2009	
10	1	Cord relief	103N1004		103N1004		103N1004		103N1004		103N1004	

115 volt 60 Hz

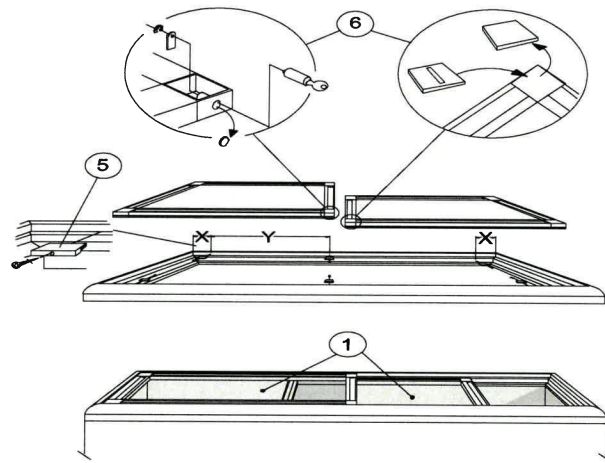
UL SPEC.

3	1	Electronic thermostat Incl. sensor	115V	DIXELL30CH1		DIXELL30CH1		DIXELL30CH1		DIXELL30CH1		DIXELL30CH1
5	1	Fan115V		BLAES115HBT		BLAES115HBT		BLAES115HBT		BLAES115HBT		BLAES115HBT
8	1	Compressor 120V 60HZ, R290		NEU2140U1		NEU2155U1		NEU2168U1		NT2170UV1		NT2180UV1
19	1	Multiplug with cable		TSKU0101		TSKU0101		TSKU0001		TSKU0001		TSKU0001
12	1	Starting relay		NEU2140U1RE		NEU2155U1RE		NEU2168U1RE		NT2170UV1RE		NT2180UV1RE
13	1	Starting capacitor		NEU2140U1SK		NEU2155U1SK		NEU2168U1SK		NT2170UV1SK		NT2180UV1SK
	1	Motor protector/ KLIXON		NEU2140U1KL		NEU2155U1KL		NEU2168U1KL		NT2170UV1KL		NT2180UV1KL

230 volt 60 Hz

KTC SPEC.

3	1	Electronic thermostat 230V Incl. sensor		DIXELL30CH2								
5	1	Blæser 230V High speed		BLAES230HBT								
8	1	Compressor 200-230V/50-60HZ R404A		NEU2140GK2								
20	1	Multiplug with cable		TSK0104								
12	1	Starting relay		117U6005								
13	1	Starting capacitor		117U5017								
21	1	Cover		103N2009								
11	1	Cord relief		103N1004								
10	1	Startkit complet										



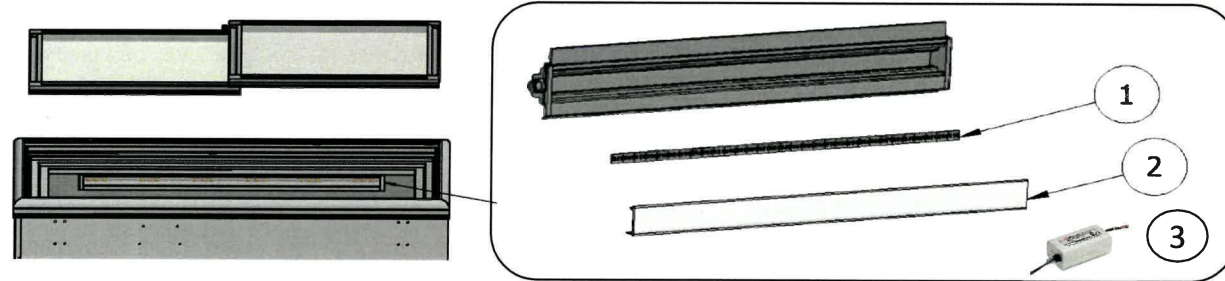
X = 100 mm

Y {
 22 = 165 mm
 35 = 340 mm
 45 = 460 mm
 53 = 535 mm
 51 = 645 mm

EL-LTS and UNI-S

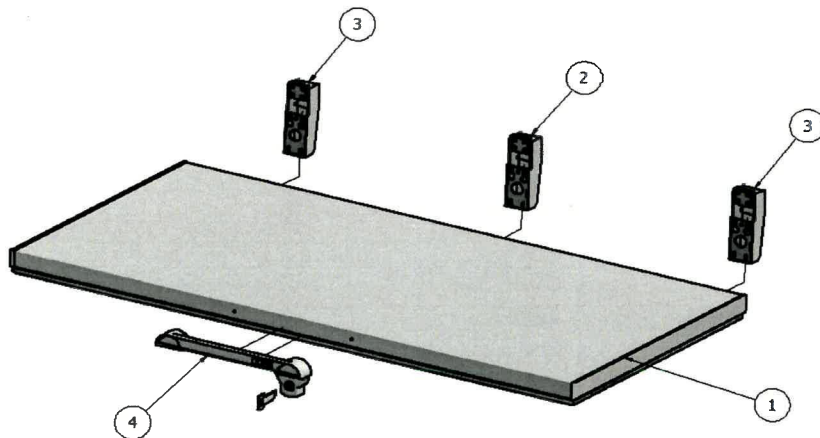
ITEM NO.	PCS	DESCRIPTION	MODEL 11		MODEL 21		MODEL 31		MODEL 41		MODEL 51	
			CODE		CODE		CODE		CODE		CODE	
1	1	Glass Lid upper with lock	8014.0100		8014.0202		8014.0302		8014.0402		8014.0502	
1	1	Glass Lid lower with lock	8014.0101		8014.0203		8014.0303		8014.0403		8014.0503	
1	1	CAL lid upper with lock	8011.0100		8011.0200		8011.0300		8011.0400		8011.0500	
1	1	CAL lid lower with lock	8011.0101		8011.0201		8011.0301		8011.0401		8011.0501	
5	6	Dowels (SG4 lock)	SP1993		SP1993		SP1993		SP1993		SP1993	
6	1	Lock kit complete	82CYL1SG 4		82CYL1SG 4		82CYL1SG 4		82CYL1SG 4		82CYL1SG 4	
6	2	Key	NØGLE2		NØGLE2		NØGLE2		NØGLE2		NØGLE2	

INTERNAL LIGHT



			MODEL 11	MODEL 21	MODEL 31	MODEL 41	MODEL 51
1	1	LED LIGHTS	LED21	LED16	LED17	LED17	LED18
2	1	CLEAR LIGHT COVER	P-PROFIL02	P-PROFIL02	P-PROFIL02	P-PROFIL02	P-PROFIL02
3	1	POWER SUPPLY 115/230V	PSU3	PSU3	PSU3	PSU3	PSU3

Lid and accessories for EL-LT and UNI box with solid lid:



EL-LT and UNI

ITEM NO.	PCS	DESCRIPTION	MODEL 11	MODEL 21	MODEL 31	MODEL 41	MODEL 51
			CODE	CODE	CODE	CODE	CODE
1	1	Lid w/o hinges	8010.0100	8010.0200	8010.0302	8010.0402	8010.0502
2	1	Hinge w/o spring	-	-	Haeng 00	Haeng 00	Haeng 00
3	1	Hinge set	Haeng42 Haeng42	Haeng 46 Haeng 46	Haeng 46 Haeng 46	Haeng 49 Haeng 49	Haeng 49 Haeng 49
4	1	Plastic grip with lock	EPCH	EPCH	EPCH	EPCH	EPCH

Finanzen/Service
28307 Bremen
Thalenhorststraße 15
Tel.+49 421 48557-0
Fax+49 421 488650
bremen@nordcap.de

Vertrieb Ost
12681 Berlin
Wolfener Straße 32/34, Haus K
Tel.+49 30 936684-0
Fax+49 30 936684-44
berlin@nordcap.de

Vertrieb West
40699 Erkrath
Max-Planck-Straße 30
Tel.+49 211 540054-0
Fax+49 211 540054-54
erkrath@nordcap.de

Vertrieb Nord
21079 Hamburg
Großmoorbogen 5
Tel.+49 40 766183-0
Fax+49 40 770799
hamburg@nordcap.de

Vertrieb Süd
55218 Ingelheim
Hermann-Bopp-Straße 4
Tel.+49 6132 7101-0
Fax+49 6132 7101-20
ingelheim@nordcap.de



www.nordcap.de