

Ersatzteilliste-Explosionszeichnung

Gasherd **GH9 / 2F-12-T**

[Art. 406392000]



CUCINE TOP GAS E900XP GAS COOKING TOP E900XP

| PNC | Model | Ref | Brand | Burner | Notes |
|--------|------------|-----|-------|-----------|--------------------|
| 391000 | E9GCGD2C00 | a | Elx | 2 | TOP 400 |
| 391001 | E9GCGD2C0M | b | Elx | 2 (10KW) | TOP 400 |
| 391002 | E9GCGH4C00 | c | Elx | 4 | TOP 800 |
| 391003 | E9GCGH4C0M | d | Elx | 4 (10KW) | TOP 800 |
| 391011 | E9GCGL6C00 | e | Elx | 6 | TOP 1200 |
| 391012 | E9GCGL6C0M | f | Elx | 6 (10KW) | TOP 1200 |
| 391192 | E9GCTD2C0M | g | Elx | 2 (7.5KW) | TOP 400 TOWN GAS |
| 391193 | E9GCTH4C00 | h | Elx | 4 | TOP 800 TOWN GAS |
| 391194 | E9GCTH4C0M | i | Elx | 4 (7.5KW) | TOP 800 TOWN GAS |
| 391196 | E9GCTL6C0M | l | Elx | 6 (7.5KW) | TOP 1200 TOWN GAS |
| 392000 | Z9GCGD2S00 | m | Zan | 2 | TOP 400 |
| 392001 | Z9GCGD2S0M | n | Zan | 2 (10KW) | TOP 400 |
| 392002 | Z9GCGH4S00 | o | Zan | 4 | TOP 800 |
| 392003 | Z9GCGH4S0M | p | Zan | 4 (10KW) | TOP 800 |
| 392011 | Z9GCGL6S00 | q | Zan | 6 | TOP 1200 |
| 392012 | Z9GCGL6S0M | r | Zan | 6 (10KW) | TOP 1200 |
| 392025 | Z9GCGD2C00 | s | Zan | 2 | TOP 400 CAST IRON |
| 392026 | Z9GCGD2C0M | t | Zan | 2 | TOP 400 CAST IRON |
| 392027 | Z9GCGH4C00 | u | Zan | 4 | TOP 800 CAST IRON |
| 392028 | Z9GCGH4C0M | v | Zan | 4 | TOP 800 CAST IRON |
| 392033 | Z9GCGL6C00 | z | Zan | 6 | TOP 1200 CAST IRON |
| 392034 | Z9GCGL6C0M | a1 | Zan | 6 | TOP 1200 CAST IRON |
| 392192 | Z9GCTD2C0M | b1 | Zan | 2 (7.5KW) | TOP 400 TOWN GAS |
| 392193 | Z9GCTH4C00 | c1 | Zan | 4 | TOP 800 TOWN GAS |
| 392194 | Z9GCTH4C0M | d1 | Zan | 4 (7.5KW) | TOP 800 TOWN GAS |
| 392196 | Z9GCTL6C0M | e1 | Zan | 6 (7.5KW) | TOP 1200 TOWN GAS |
| 393000 | A9GCGD2C00 | f1 | OEM | 2 | TOP 400 |
| 393001 | A9GCGD2C0M | g1 | OEM | 2 (10KW) | TOP 400 |
| 393002 | A9GCGH4C00 | h1 | OEM | 4 | TOP 800 |
| 393003 | A9GCGH4C0M | i1 | OEM | 4 (10KW) | TOP 800 |
| 393011 | A9GCGL6C00 | l1 | OEM | 6 | TOP 1200 |
| 393012 | A9GCGL6C0M | m1 | OEM | 6 (10KW) | TOP 1200 |

Index

Gas top / Componenti top
Gas components / componenti gas
Nozzles table / Tabelle ugelli
Spare parts list / Lista ricambi

Page

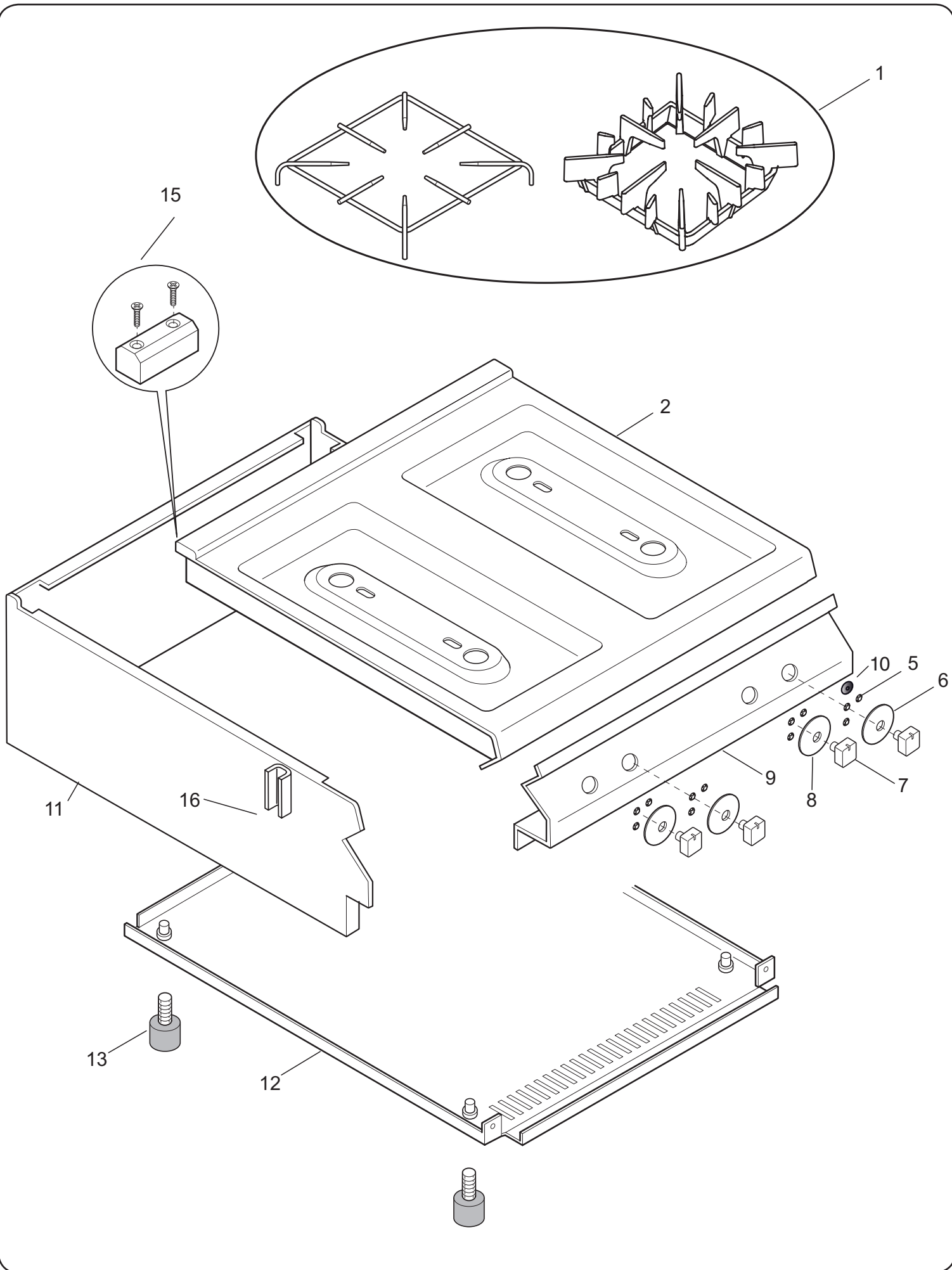
2
3
4
5-6

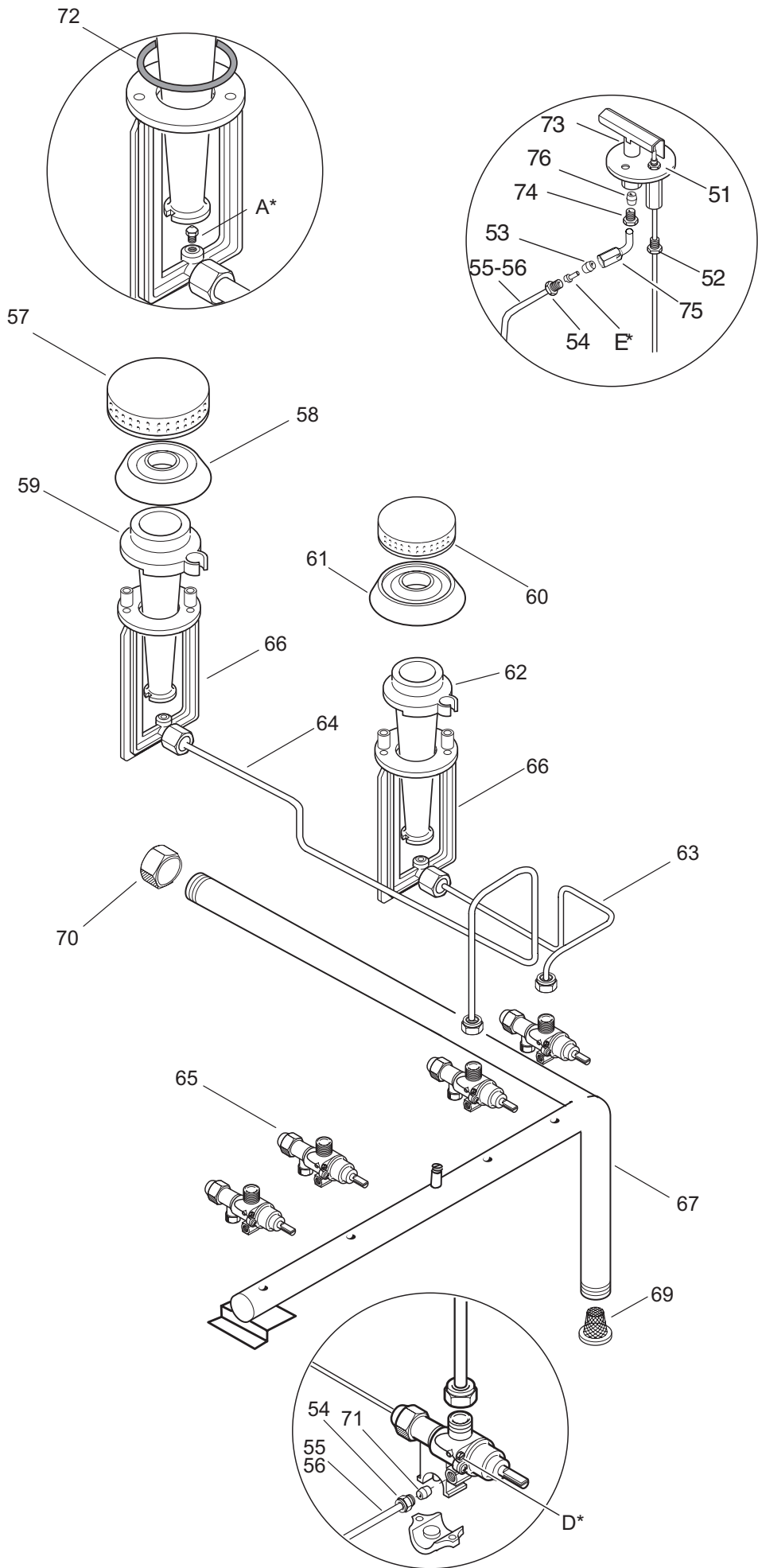
Notes

Bold=last change / Grassetto =ultima modifica

Rev. 2

| | | | |
|-------------------------------------|--------------------------------|---------|-------------------------|
| From Ser. Nr. 116 Up to Ser. Nr. | Ed. 2011-04 Updated 2020-03 | Page: 1 | Doc No:59785FN00 |
|-------------------------------------|--------------------------------|---------|-------------------------|





| A - Ugello bruciatore / Burner nozzle ø60 | | | | A - Ugello bruciatore / Burner nozzle ø100 | | | |
|---|--------------|--------|--------------|--|-------------|--------|--------------|
| Spare Code | Ref. / Notes | | | Spare Code | Ref./ Notes | | |
| 0A2101 | ø1.25 | 3+3B/P | G30 30mbar | 0A2089 | ø1.60 | 3+3B/P | G30 30mbar |
| 0A2650 | ø1.20 | 3B/P | G30 37mbar | 059384 | ø1.50 | 3B/P | G30 37mbar |
| 0C0147 | ø1.10 | 3B/P | G30 50mbar | 0C0148 | ø1.45 | 3B/P | G30 50mbar |
| 0C0141 | ø1.95 | 2H/2E+ | G20 20mbar | 0C0144 | ø2.60 | 2H/2E+ | G20 20mbar |
| A05176400 | Ø1.85 | 2H | G20 25mbar | 0C4154 | Ø2.15/2.60 | 2H | G20 25mbar |
| 0C0142 | ø2.05 | 2L | G25 25mbar | 0C0145 | ø2.65 | 2L | G25 25mbar |
| 51689AP00 | ø1.90 | 2K | G25.3 25mbar | 51689AQ00 | ø2.55 | 2K | G25.3 25mbar |
| 0C0143 | ø2.20 | 2ELL | G25 20mbar | 0C0146 | ø2.75 | 2ELL | G25 20mbar |
| 0C7942 | Ø1.85/2.25 | 2S | G25.1 25mbar | 0C4153 | Ø2.45/3.30 | 2S | G25.1 25mbar |
| 0C3657 | ø3.60 | 1a | G110 8mbar | 0C3655 | ø5.00 | 1a | G110 8mbar |
| 0C3658 | ø3.30 | 1b | G120 8mbar | 0C3656 | Ø4.40 | 1b | G120 8mbar |

| E - Ugello pilota / Pilot nozzle | | | |
|----------------------------------|-------------|--------|--------------|
| Spare Code | Ref./ Notes | | |
| 054593 | n°25 | 3+3B/P | G30 30mbar |
| 054593 | n°25 | 3B/P | G30 37mbar |
| 054593 | n°25 | 3B/P | G30 50mbar |
| 053670 | n°41 | 2H/2E+ | G20 20mbar |
| 053670 | n°41 | 2H | G20 25mbar |
| 053670 | n°41 | 2L | G25 25mbar |
| 053670 | n°41 | 2K | G25.3 25mbar |
| 053670 | n°41 | 2ELL | G25 20mbar |
| 053670 | n°41 | 2S | G25.1 25mbar |
| 053669 | n°75 | 1a | G110 8mbar |
| 053669 | n°75 | 1b | G120 8mbar |

| D - Vite di minimo / Min screw ø60 | | | | D - Vite di minimo / Min screw ø100 | | | |
|------------------------------------|--------------|--------|--------------|-------------------------------------|-------------|--------|--------------|
| Spare Code | Ref. / Notes | | | Spare Code | Ref./ Notes | | |
| 002911 | Ø0.55 | 3+3B/P | G30 30mbar | 002769 | Ø0.75 | 3+3B/P | G30 30mbar |
| 002911 | Ø0.55 | 3B/P | G30 37mbar | 002908 | Ø0.70 | 3B/P | G30 37mbar |
| 002925 | Ø0.50 | 3B/P | G30 50mbar | 002991 | Ø0.65 | 3B/P | G30 50mbar |
| 002899 | Ø0.80 | 2H/2E+ | G20 20mbar | 002902 | Ø1.05 | 2H/2E+ | G20 20mbar |
| 002899 | Ø0.80 | 2H | G20 25mbar | 002902 | Ø1.05 | 2H | G20 25mbar |
| 002899 | Ø0.80 | 2L | G25 25mbar | 002902 | Ø1.05 | 2L | G25 25mbar |
| 002899 | Ø0.80 | 2K | G25.3 25mbar | 002902 | Ø1.05 | 2K | G25.3 25mbar |
| 002899 | Ø0.80 | 2ELL | G25 20mbar | 002902 | Ø1.05 | 2ELL | G25 20mbar |
| 002899 | Ø0.80 | 2S | G25.1 25mbar | 002902 | Ø1.05 | 2S | G25.1 25mbar |
| - | adjust | 1a | G110 8mbar | - | adjust | 1a | G110 8mbar |
| - | adjust | 1b | G120 8mbar | - | adjust | 1b | G120 8mbar |

CUCINE TOP GAS E900XP
GAS COOKING TOP E900XP

| Pos | Spare Part Code | Factory Code | Descrizione | Description | Ref./Notes |
|-----|-----------------|------------------|-----------------------------|----------------------------|-------------------------------|
| | | | PAGINA 2 | PAGE 2 | |
| 1 | 0C1278 | 510819606 | GRIGLIA FUOCHI ACCIAIO | STAINLESS STEEL GRID | |
| 1 | 0C1985 | 510821002 | GRIGLIA FUOCHI GHISA | CAST IRON GRID | ELX-ZAN, CAST IRON |
| 1 | 0C0132 | 510819903 | GRIGLIA FUOCHI GHISA | CAST IRON GRID | OEM, CAST IRON |
| 2 | 0C7295 | 85089BU00 | RIPIANO 400mm | TABLE TOP 400mm | ELX |
| 2 | 0C7296 | 85089BV00 | RIPIANO 800mm | TABLE TOP 800mm | ELX |
| 2 | 0C7297 | 85089BX00 | RIPIANO 1200mm | TABLE TOP 1200mm | ELX |
| 2 | 0C7298 | 85089C100 | RIPIANO 400mm | TABLE TOP 400mm | ZAN, OEM |
| 2 | 0C7299 | 85089C200 | RIPIANO 800mm | TABLE TOP 800mm | ZAN, OEM |
| 2 | 0C7300 | 85089C400 | RIPIANO 1200mm | TABLE TOP 1200mm | ZAN, OEM |
| 3 | | 50589CB00 | RINFORZO FIANCO SINISTRO | LEFT SIDE PANEL STIFFENING | |
| 3 | | 50589CC00 | RINFORZO FIANCO DESTRO | LEFT SIDE PANEL RIGHT | |
| 4 | | | | | |
| 5 | 069567 | 218912211 | MOLLETTA PER GHIERA | SPRING, KNOB RING | |
| 6 | 0C6671 | 548876S00 | GHIERA MANOPOLA FUOCHI ANT. | KNOB RING, FRONT BURNER | ELX |
| 6 | 0C7243 | 548879F00 | GHIERA MANOPOLA FUOCHI ANT. | KNOB RING, FRONT BURNER | ZAN, OEM |
| 7 | 0C7330 | 511850D02 | MANOPOLA PER RUBINETTO GAS | KNOB, GAS TAP | ELX |
| 7 | 0C7425 | 548878101 | MANOPOLA PER RUBINETTO GAS | KNOB, GAS TAP | ZAN |
| 7 | 0C1007 | 548865600 | MANOPOLA PER RUBINETTO GAS | KNOB, GAS TAP | OEM |
| 8 | 0C7332 | 548876T00 | GHIERA MANOPOLA FUOCHI POS. | KNOB RING FOR REAR BURNER | ELX |
| 8 | 0C7244 | 548879G00 | GHIERA MANOPOLA FUOCHI POS. | KNOB RING FOR REAR BURNER | ZAN, OEM |
| 9 | 0C7292 | 85089B100 | CRUSCOTTO 400mm | CONTROL PANEL 400mm | ELX |
| 9 | 0C7293 | 85089B200 | CRUSCOTTO 800mm | CONTROL PANEL 800mm | ELX |
| 9 | 0C7294 | 85089B600 | CRUSCOTTO 1200mm | CONTROL PANEL 1200mm | ELX |
| 9 | 0C7313 | 87089GB00 | CRUSCOTTO 400mm | CONTROL PANEL 400mm | ZAN |
| 9 | 0C7314 | 87089GC00 | CRUSCOTTO 800mm | CONTROL PANEL 800mm | ZAN |
| 9 | 0C7315 | 87089GF00 | CRUSCOTTO 1200mm | CONTROL PANEL 1200mm | ZAN |
| 9 | * | 50389LU00 | CRUSCOTTO 400mm | CONTROL PANEL 400mm | OEM |
| 9 | 0CB192 | 50389LV00 | CRUSCOTTO 800mm | CONTROL PANEL 800mm | OEM |
| 9 | * | 50389LZ00 | CRUSCOTTO 1200mm | CONTROL PANEL 1200mm | OEM |
| 10 | 0C6171 | 0541813800 | RONDELLA SILICONE | SILICONE WASHER | |
| 11 | * | 85089DR00 | PANNELLO CHIUSURA TOP | PANEL TOP | ELX |
| 11 | * | 85089DS00 | PANNELLO CHIUSURA TOP | PANEL TOP | ELX |
| 11 | * | 85089DT00 | PANNELLO CHIUSURA TOP | PANEL TOP | ELX |
| 11 | * | 85089DU00 | PANNELLO CHIUSURA TOP | PANEL TOP | ZAN, OEM |
| 11 | * | 85089DV00 | PANNELLO CHIUSURA TOP | PANEL TOP | ZAN, OEM |
| 11 | * | 85089DW00 | PANNELLO CHIUSURA TOP | PANEL TOP | ZAN, OEM |
| 12 | * | 529881605 | FONDO CUCINA GAS 400mm | BOTTOM PANEL 400mm | |
| 12 | 0C0234 | 529881705 | FONDO CUCINA GAS 800mm | BOTTOM PANEL 800mm | |
| 12 | * | 529881805 | FONDO CUCINA GAS 1200mm | BOTTOM PANEL 1200mm | |
| 13 | 026806 | 315252601 | PIEDINO CON VITE | SCREW FOOT, TOP APPLIANCE | |
| 14 | 0C0137 | 516860700 | PIASTRINA X GIUNZIONE | JOINTING REAR PLATE | |
| 16 | 0C0156 | 527850500 | PIASTRA FISSAGGIO FIANCHI | SIDE PANELS JOINTING PLATE | |
| | * | | | | |
| | 0C1289 | 147018088 | ADESIVO STRUTTURALE | STRUCTURAL ADHESIVE TAPE | |
| | | | PAGINA 3 | PAGE 3 | |
| 51 | 0C0202 | 831800500 | TERMOCOPPIA | THERMOCOUPLE | |

CUCINE TOP GAS E900XP
GAS COOKING TOP E900XP

| Pos | Spare Part Code | Factory Code | Descrizione | Description | Ref./Notes |
|-----|-----------------|--------------|----------------------------|---------------------------|------------|
| 52 | 0C0121 | 214162000 | RACCORDO FISS. TERMOCOPPIA | CONNECTION, FIX THERMOC. | |
| 53 | 053665 | 515827401 | BICONO | DOUBLE CONE | |
| 54 | 052125 | 214164400 | RACCORDO | NUT | |
| 55 | 0C3647 | 544820700 | CONDUTTURA ANT.PILOTA | FRONTAL PILOT PIPE | |
| 56 | 0C3648 | 544821100 | CONDUTTURA POST.PILOTA | REAR PILOT PIPE | |
| 57 | 0C0128 | 510819401 | SPARTIFIAMMA DIAM.100 | FLAME SPREADER DIAM.100 | |
| 58 | 0C0126 | 510819203 | BRUCIATORE DIAM.100 | BURNER DIAM.100 | |
| 59 | 0C0133 | 510820602 | VENTURI X BRUC. DIAM.100 | VENTURI DIAM.100 | |
| 60 | 0C0129 | 510819501 | SPARTIFIAMMA DIAM.60 | FLAME SPREADER DIAM.60 | |
| 61 | 0C0127 | 510819303 | BRUCIATORE DIAM.60 | BURNER DIAM.60 | |
| 62 | 0C0125 | 510819103 | VENTURI X BRUC. DIAM.60 | VENTURI DIAM.60 | |
| 63 | 0C0206 | 835857401 | CONDUTTURA ANT.FUOCHI | FRONTAL BURNER PIPE | |
| 64 | 0C0207 | 835857501 | CONDUTTURA POST.FUOCHI | REAR BURNER PIPE | |
| 65 | 0C0205 | 835857201 | RUBINETTO GAS CON BRIGLIA | GAS TAP WITH BRIDLE | |
| 66 | 0C0124 | 510819003 | SUPPORTO VENTURI | HOLDER FOR VENTURI | |
| 67 | 0C0236 | 853855903 | RIBALTA 400mm | MANIFOLD 400mm | |
| 67 | 0C0237 | 853856003 | RIBALTA 800mm | MANIFOLD 800mm | |
| 67 | 0C0238 | 853856103 | RIBALTA 1200 MM | MANIFOLD 1200mm | |
| 69 | 0C0140 | 516863902 | FILTRO GAS | GAS FILTER | |
| 70 | 051717 | 210360300 | TAPPO PER RIBALTA | MANIFOLD STOPPER | |
| 71 | 052127 | 215199700 | BICONO | DOUBLE CONE | |
| 72 | 0C0188 | 543829700 | GUARNIZIONE OR | O-RING GASKET | |
| 73 | 0C3644 | 806854300 | PILOTA | PILOT | |
| 74 | 0C3646 | 516887500 | RACCORDO | NUT | |
| 75 | 0C3643 | 510823900 | SUPPORTO CURVO PER PILOTA | CURVED JET HOLDER | |
| 76 | 0C3645 | 516888200 | BICONO PER PILOTA D.4 | DOUBLE CONE D.4 FOR PILOT | |
| | | | | | |



Electrolux Professional SPA
Viale Treviso 15
33170 Pordenone
www.electrolux-professional.com

NordCap GmbH & Co. KG
Thalendorststraße 15
28307 Bremen
Hauptsitz (Service, Finanzen & Personal, Lager, IT, Marketing)

Telefon: +49 421 48557-0
Telefax: +49 421 488650
E-Mail: bremen@nordcap.de

Die NordCap Verkaufsniederlassungen in Deutschland:

Nord: Hamburg • Ost: Berlin • Süd: Ingelheim • West: Erkrath

by **NordCap**[®]

ZANUSSI
PROFESSIONAL